



Modular Balustrade Handrail Bracket Flat Disc to Tube

13.0140.042.12

Tubular handrail bracket support with cover disc for installation onto flat surfaces. Designed to support 42.4mm or 48.3mm diameter tube with adjustable height.

Produced from high quality 304 (interior) grade and 316 (exterior) grade stainless steel to a superb brushed 320 grit satin finish.

On wood, plasterboard, masonry and concrete we recommend using a **M8 x 12 dual thread screw**.

Modular DIY Range

Our most comprehensive and popular range of balustrade components. Produced from high quality 304 or 316 grade stainless steel. All the fittings in this range are based upon a wall thickness of 2.6mm ensuring that your installation is of the highest quality and will stand the test of time.

Product Information

Available Options

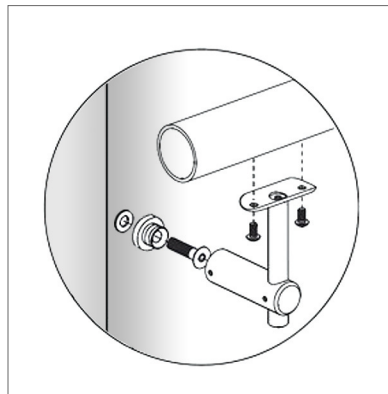
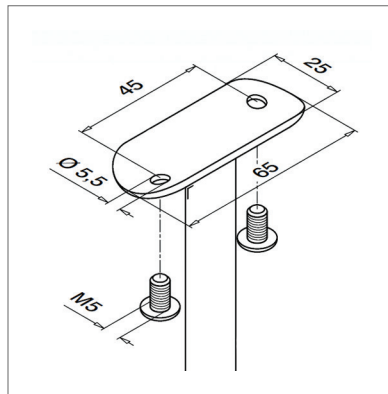
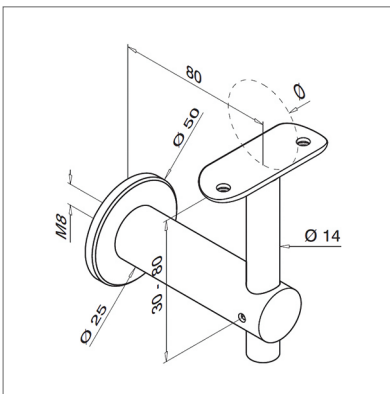
Grade: 304 (interior) stainless steel.
Grade: 316 (exterior) stainless steel.

To Fit: 42.4mm diameter tube.

To Fit: 48.3mm diameter tube.

Stand Off: 80mm.

To a brushed 320 grit satin finish.













Modular Balustrade Handrail Bracket Flat Disc to Tube

13.0140.042.12

Key Features

-  Manufactured from 304 grade stainless steel.
-  Manufactured from 316 grade stainless steel.
-  To fit 42.4mm diameter stainless steel tube.
-  To fit 48.3mm diameter stainless steel tube.
-  To a brushed 320 grit satin finish.
-  Selection of fitting options available.
-  Requires the use of a hex head key for installation.
-  Drill required for installation.

Care Instructions



We recommend you should treat your stainless steel balustrade on a regular basis to ensure long-lasting perfection. Using either WD-40 or a specialist chemical stainless steel cleaner to remove heavy dirt and rust stains.

Q-Ultra-Clean rebuilds and strengthens the passive layer of stainless steel.

Design

You can send us your drawings, technical drawings or even a freehand sketch.

From this we'll produce an accurate quotation for you. This service is completely free with no hassle or obligation.

Give us a call for any advice Monday to Friday 9.00am to 5.00pm

Contact us

Email: info@s3i.co.uk

Telephone: **01302 752 504**

Fax: **01302 752 410**



For installation onto wood, plasterboard, masonry and concrete we recommend using a **M8 x 12 dual thread screw** with rawl plug to attach this bracket.



For attaching stainless steel handrail we recommend using two **M5 x 16 hex head button cap screws**.



Use of a **hex head key** is required for installation.