



## Modular Balustrade Adjustable Handrail Bracket - Flat Plate to Tube Mount

**13.0145.042.12**

Adjustable tubular handrail bracket support with cover disc perfect for fixing onto flat surfaces.

Handrail support suitable for 42.4mm or 48.3mm diameter tube handrail. Height adjustable with an angle adjustment of up to 270 degrees. Available in options of 304 (interior) grade and 316 (exterior) grade stainless steel to a brushed 320 grit satin finish.

This superb handrail bracket is the ideal choice for inclines such as staircases.

On wood, plasterboard, masonry and concrete we recommend fixing using a **M8 x 12 dual head screw**.

### Modular DIY Range

Our most comprehensive and popular range of balustrade components. Produced from high quality 304 or 316 grade stainless steel. All the fittings in this range are based upon a wall thickness of 2.6mm ensuring that your installation is of the highest quality and will stand the test of time.

### Product Information

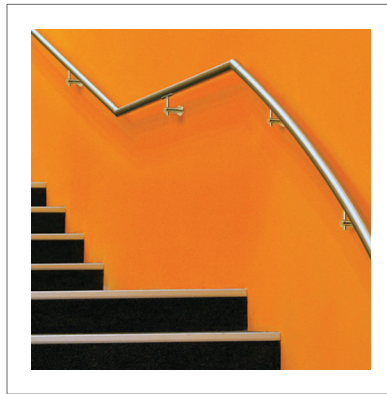
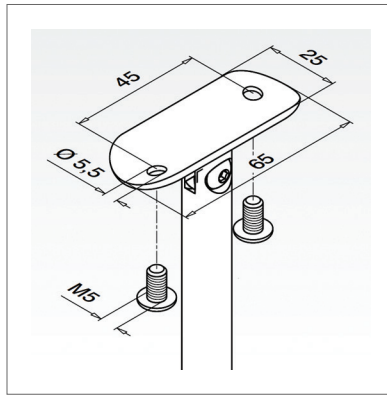
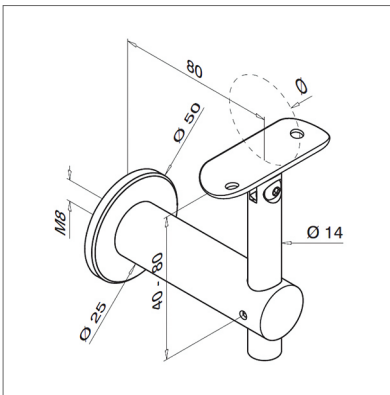
#### Available Options

Grade: 304 (interior) stainless steel.  
Grade: 316 (exterior) stainless steel.

To Fit: 42.4mm diameter tube.  
To Fit: 48.3mm diameter tube.

Total angle adjustment: 270°.  
Stand Off: 80mm.

To a brushed 320 grit satin finish.














## Modular Balustrade Adjustable Handrail Bracket Flat Plate to Tube Mount

13.0145.042.12

### Key Features

-  Manufactured from 304 grade stainless steel.
-  Manufactured from 316 grade stainless steel.
-  To fit 42.4mm diameter stainless steel tube.
-  To fit 48.3mm diameter stainless steel tube.
-  Adjustment is a total of 270°.
-  To a brushed 320 grit satin finish.
-  Selection of fitting options available.
-  Requires the use of a hex head key for installation.
-  Drill required for installation.

### Care Instructions



We recommend you should treat your stainless steel balustrade on a regular basis to ensure long-lasting perfection. Using either WD-40 or a specialist chemical stainless steel cleaner to remove heavy dirt and rust stains.

**Q-Ultra-Clean** rebuilds and strengthens the passive layer of stainless steel.

### Design

You can send us your drawings, technical drawings or even a freehand sketch.

From this we'll produce an accurate quotation for you. This service is completely free with no hassle or obligation.

Give us a call for any advice Monday to Friday 9.00am to 5.00pm

Contact us

Email: [info@s3i.co.uk](mailto:info@s3i.co.uk)

Telephone: **01302 752 504**

Fax: **01302 752 410**



For installation onto wood, plasterboard, masonry and concrete we recommend using a **M8 x 12 dual head screw** to attach this bracket.



For attaching stainless steel handrail we recommend using two **M5 x 16 hex head button cap screws**.



Use of a **hex head key** is required for installation.