

Easy Glass Wall - Full height glass partitions and balustrade

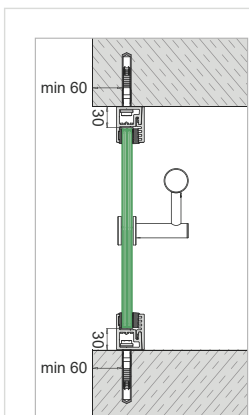
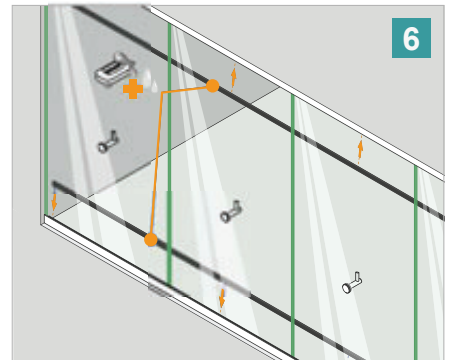
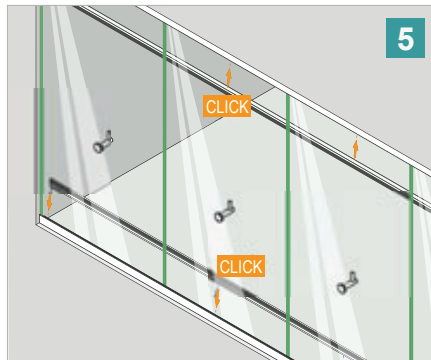
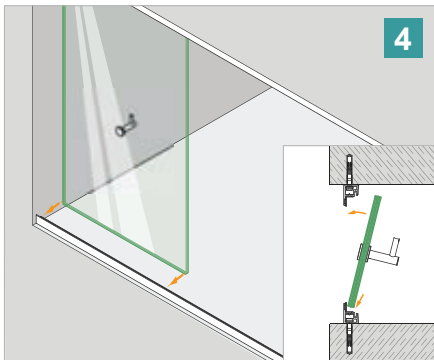
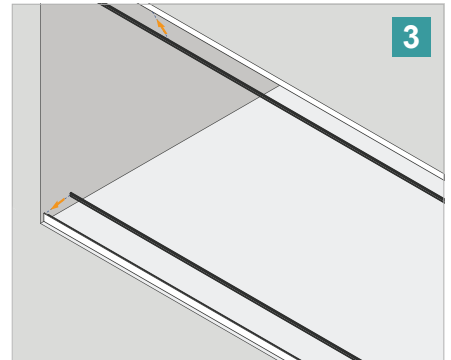
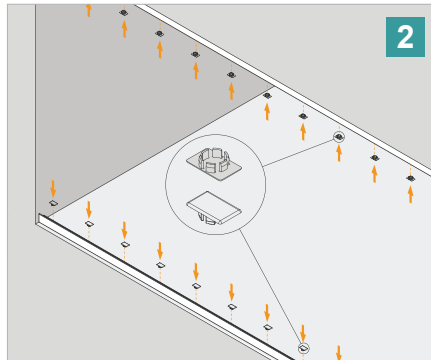
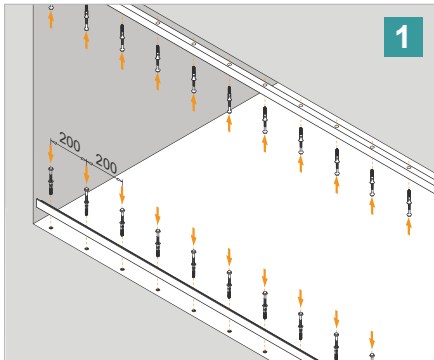
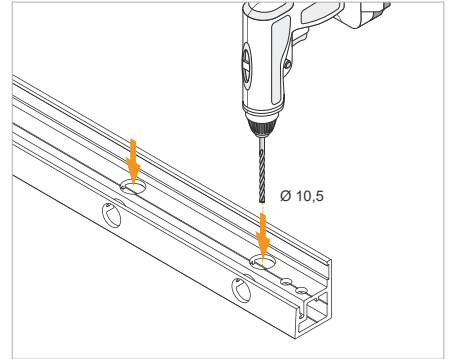
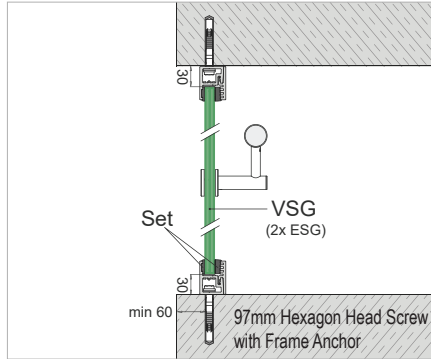
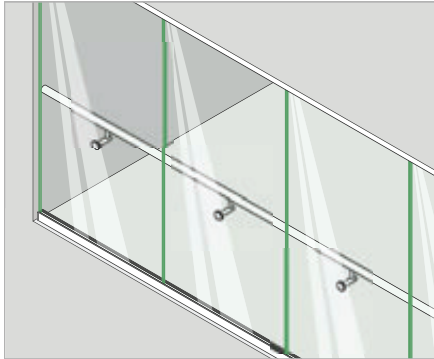


- Ceiling height glass partitions and walls.
- Designed for light to medium use.
- Suitable for indoor and outdoor applications.
- Top and fascia mounting base profiles.
- Maximum glass height of 3.5 metres (35000mm).
- Aluminium construction.
- 12mm to 21.52mm glass thickness - laminated and monolithic.
- No visible screws to distract the eye.

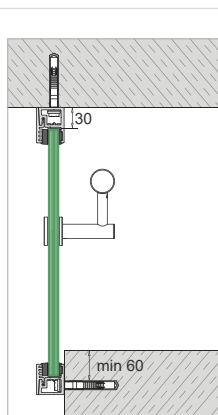
Mounting Advice

Any quoted figures about the performance of these products relate to installing into concrete. **Please take advice from an engineer or specialist when installing into any other material, such as timber.**

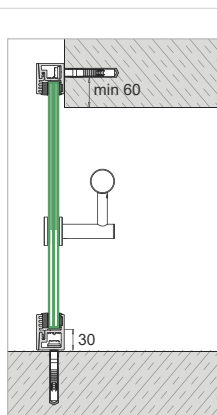
Easy Glass Wall - Full height glass partitions and balustrade



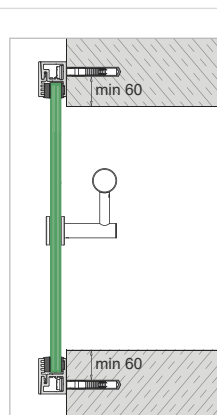
Top-top: mounted directly underneath the ceiling and top mounted on the floor



Top-fascia: mounted directly underneath the ceiling and fascia mounted on the floor



Fascia-top: mounted to the fascia of the ceiling and top mounted on the floor



Fascia-fascia: mounted to the fascia of the ceiling and on the fascia of the floor

Stair mounting

