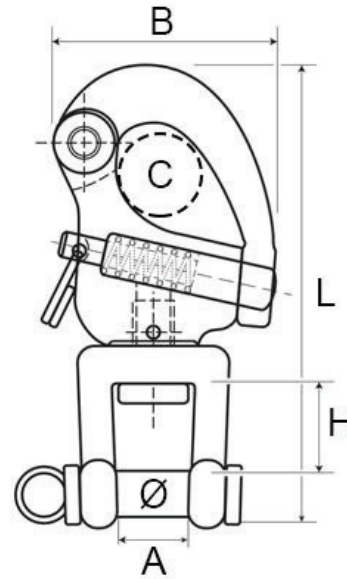


Snap Shackle - Swivel Fork



Code	L (mm)	B (mm)	A (mm)	H (mm)	C (mm)	Ø (mm)	Break Load (kg)
SSP-120	70	33	12	9	12	5	380
SSP-160	87	42	13	15	16	6	550
SSP-220	128	58	22	20	22	10	1010

A note about dimensional information

Please be aware that dimensions published on our site should be treated as indicative.

We publish dimensions to the best of our ability, however manufacturers can, from time to time, make small alterations to their designs.

If your dimensional criteria is critical please do contact us prior to making your purchase to let us know and we will do our best to fulfil your requirements.