

Modular Balustrade Handrail Plate Bracket Flat Disc to Flat Support

13.0100.000.12

Handrail plate bracket with curved stem for easy installation to flat wall surfaces. Designed for supporting flat handrail. An ideal choice for timber handrails.

Manufactured from 304 (interior) grade and 316 (exterior) grade stainless steel. To a brushed 320 grit satin finish.

Installation is quick and simple using countersunk screws.

We recommend using [M5 x 20 countersunk hex head screws](#) if attaching a stainless steel handrail.

Modular DIY Range

Our most comprehensive and popular range of balustrade components. Produced from high quality 304 or 316 grade stainless steel. All the fittings in this range are based upon a wall thickness of 2.6mm ensuring that your installation is of the highest quality and will stand the test of time.

Product Information

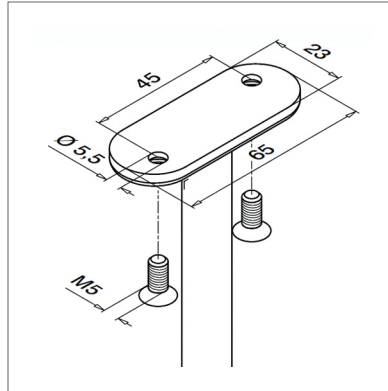
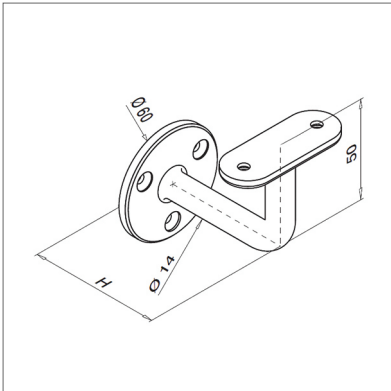
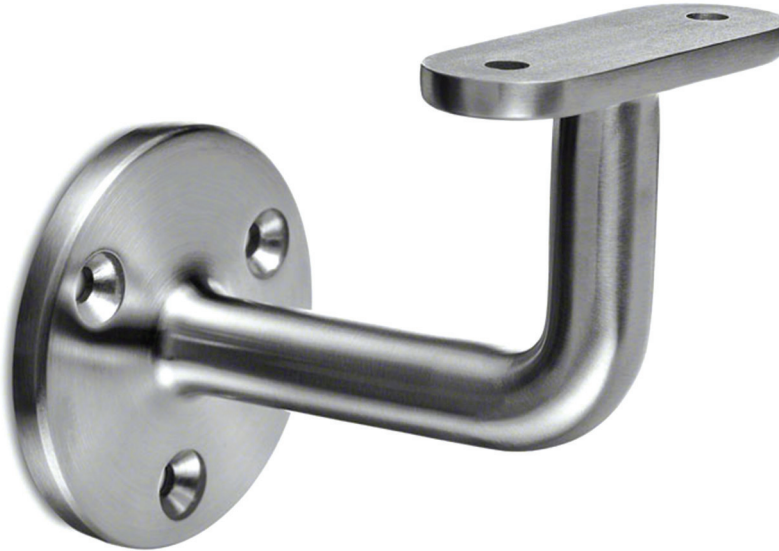
Available Options

Grade: 304 (interior) stainless steel.
Grade: 316 (exterior) stainless steel.

Stand Off: 75mm.

Plate Diameter: 60mm.

To a brushed 320 grit satin finish.



Key Features

- 304** Manufactured from 304 grade stainless steel.
- 316** Manufactured from 316 grade stainless steel.
- Flat** To support flat handrail.
- To a brushed 320 grit satin finish.

- For attaching stainless steel handrail we recommend using two [M5 x 20 hex head countersunk screws](#).
- If attaching stainless steel handrail a hex head key will be required for installation.
- Drill required for installation.
- Screwdriver required for installation.

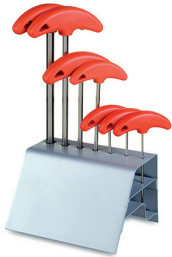


Modular Balustrade Handrail Plate Bracket Flat Disc to Flat Support

13.0100.000.12



For attaching stainless steel handrail we recommend using two **M5 x 20 hex head countersunk screws**.



Use of a **hex head key** required for installation if attaching stainless steel handrail.

Care Instructions



We recommend you should treat your stainless steel balustrade on a regular basis to ensure long-lasting perfection. Using either WD-40 or a specialist chemical stainless steel cleaner to remove heavy dirt and rust stains.

Q-Ultra-Clean rebuilds and strengthens the passive layer of stainless steel.

Design

You can send us your drawings, technical drawings or even a freehand sketch.

From this we'll produce an accurate quotation for you. This service is completely free with no hassle or obligation.

Give us a call for any advice Monday to Friday 9.00am to 5.00pm

Contact us

Email: info@s3i.co.uk

Telephone: **01302 752 504**

Fax: **01302 752 410**