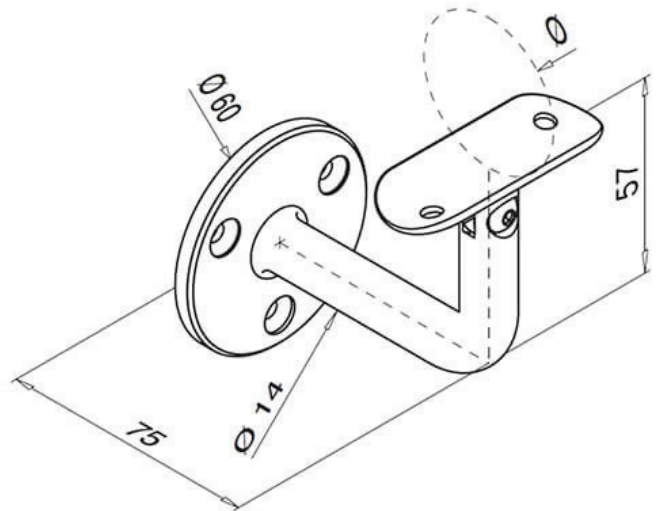


## Adjustable Handrail Bracket Curved - Flat to Tube



**13.0105.042.12** - 42.4mm Ø Handrail - 304 Grade Stainless Steel

**13.0105.048.12** - 48.3mm Ø Handrail - 304 Grade Stainless Steel

**14.0105.042.12** - 42.4mm Ø Handrail - 316 Grade Stainless Steel

**14.0105.048.12** - 48.3mm Ø Handrail - 316 Grade Stainless Steel

Curved adjustable tubular handrail support bracket with disc mount for easy installation to flat surfaces. An ideal choice for timber handrails.

Designed for supporting 42.4mm or 48.3mm diameter handrail, with an angle adjustment of up to 270 degrees.

This durable bracket is suitable for indoor and outdoor applications, with options of 304 (interior) grade and 316 (exterior) grade stainless steel available. To a high quality brushed 320 grit satin finish.

Installation is quick and easy using countersunk screws.

We recommend using M5 x 20 countersunk hex head screws if attaching a stainless steel handrail.

### Modular DIY Range

Our most comprehensive and popular range of balustrade components. Produced from high quality 304 or 316 grade stainless steel. All the fittings in this range are based upon a wall thickness of 2.6mm ensuring that your installation is of the highest quality and will stand the test of time.

### Product Information

Available Options

Grade: 304 (interior) stainless steel.

Grade: 316 (exterior) stainless steel.

To Fit: 42.4mm diameter tube.

To Fit: 48.3mm diameter tube.

Total angle adjustment: 270°.

Stand Off: 75mm.

To a brushed 320 grit satin finish.