

## Modular Balustrade Handrail Bracket Curved - Glass Mount to Tube Support

13.0117.042.12



Stainless steel handrail bracket with curved stem for a stylish solution for glass balustrade. Glass fixing to support either 42.4mm or 48.3mm tubular railing. Options of either 304 grade (interior) or 316 grade (exterior) stainless steel available. To a high quality brushed 320 grit satin finish.

### Options for installation

For installation **A** you can pass this bracket through a single glass panel. Please note your glass will have to be drilled to accept this method.

For installation **B** you can pass this bracket through the intersection of two glass panels. You will need to leave a spacing of 12mm for your bracket to fit securely.

We recommend using **M5 x 16 hex head button cap screws** to attach stainless steel railing. Use of a **C-Spanner** and **hex key** are required for installation.

### Modular DIY Range

Our most comprehensive and popular range of balustrade components. Produced from high quality 304 or 316 grade stainless steel. All the fittings in this range are based upon a wall thickness of 2.6mm ensuring that your installation is of the highest quality and will stand the test of time.

### Product Information

#### Available Options

Grade: 304 (interior) stainless steel.  
Grade: 316 (interior) stainless steel.

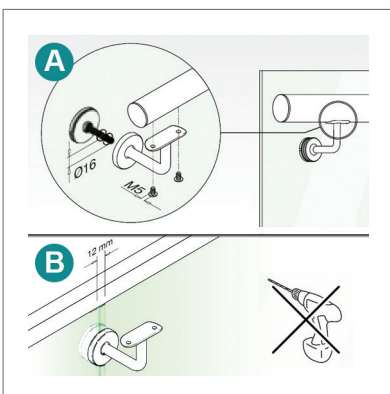
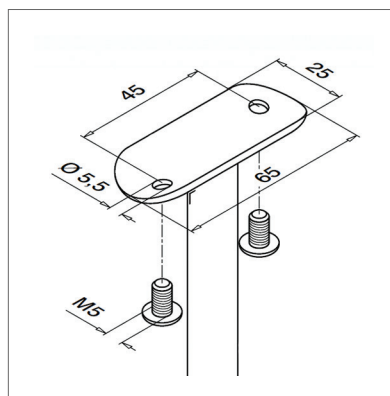
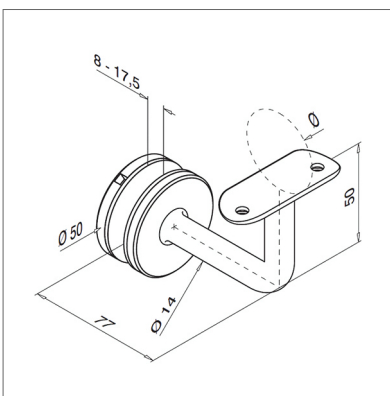
To Fit: 42.4mm diameter tube.

To Fit: 48.3mm diameter tube.

Stand Off: 77mm.

Disc Diameter: 50mm.

To a brushed 320 grit satin finish.














## Modular Balustrade Handrail Bracket Curved - Glass Mount to Tube Support

13.0117.042.12

### Key Features

-  Manufactured from 304 grade stainless steel.
-  Manufactured from 316 grade stainless steel.
-  To fit 42.4mm diameter stainless steel tube.
-  To fit 48.3mm diameter stainless steel tube.
-  To a brushed 320 grit satin finish.
-  Selection of fitting options available.
-  Requires the use of a hex head key for installation.
-  C-Spanner required for installation.
-  Drill may be required for installation.

### Care Instructions



We recommend you should treat your stainless steel balustrade on a regular basis to ensure long-lasting perfection. Using either WD-40 or a specialist chemical stainless steel cleaner to remove heavy dirt and rust stains.

**Q-Ultra-Clean** rebuilds and strengthens the passive layer of stainless steel.

### Design

You can send us your drawings, technical drawings or even a freehand sketch.

From this we'll produce an accurate quotation for you. This service is completely free with no hassle or obligation.

Give us a call for any advice Monday to Friday 9.00am to 5.00pm

Contact us

Email: [info@s3i.co.uk](mailto:info@s3i.co.uk)

Telephone: **01302 752 504**

Fax: **01302 752 410**



For attaching stainless steel handrail we recommend using **M5 X 16 hex head buttoncap screws**.



Use of a **hex head key** is required for installation.



Use of a **C-Spanner** is required for installation.