



Modular Balustrade Handrail Plate Bracket Smooth Angle Stem Flat to Screw Fix

13.0118.000.12

Handrail bracket with a long flowing smooth stem and plate mount for simple installation on to flat surfaces. With a M10 thread designed to accept stainless steel or wooden handrail with the use of a [blind rivet nut](#) or [rampa muffle screw insert](#) fitting - available separately

This bracket is only available for indoor applications, manufactured from high quality 304 grade stainless steel. Finished to a superb brushed 320 grit satin.

Installation is quick and easy using countersunk screws.

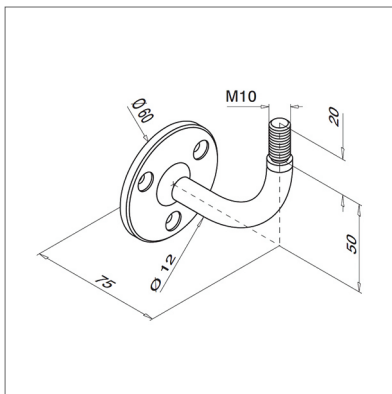
Additional fittings such as cover caps are also available.

Modular DIY Range

Our most comprehensive and popular range of balustrade components. Produced from high quality 304 or 316 grade stainless steel. All the fittings in this range are based upon a wall thickness of 2.6mm ensuring that your installation is of the highest quality and will stand the test of time.

Product Information

Grade: 304 (interior) stainless steel.
Screw Thread: M10
Stand Off: 75mm.
Plate Diameter: 60mm.
To a brushed 320 grit satin finish.



Key Features

304 Manufactured from 304 grade stainless steel.

To a brushed 320 grit satin finish.

Selection of fitting options available.

Drill required for installation.

Screw driver required for installation.



Modular Balustrade Handrail Plate Bracket Smooth Angle Stem Flat to Screw Fix

13.0118.000.12



For attaching stainless steel handrail we recommend using a [blind rivet nut with socket head](#).



For attaching wooden handrail we recommend using a [rampa muffle screw insert](#).



[Cover cap](#) to give your bracket the perfect finish are available.

Care Instructions



We recommend you should treat your stainless steel balustrade on a regular basis to ensure long-lasting perfection. Using either WD-40 or a specialist chemical stainless steel cleaner to remove heavy dirt and rust stains.

[Q-Ultra-Clean](#) rebuilds and strengthens the passive layer of stainless steel.

Design

You can send us your drawings, technical drawings or even a freehand sketch.

From this we'll produce an accurate quotation for you. This service is completely free with no hassle or obligation.

Give us a call for any advice Monday to Friday 9.00am to 5.00pm

Contact us

Email: info@s3i.co.uk

Telephone: **01302 752 504**

Fax: **01302 752 410**