



Modular Balustrade Solid Decorative End Ball With Inside Thread

13.0220.012.12

This solid stainless steel end ball is the ideal finishing touch for your balustrade. Available in a range of diameters of 20mm to 50mm with an inside thread of either M6 or M8. Manufactured for interior (304 grade) and exterior (316 grade) applications and finished to a high quality brushed 320 grit satin.

For installation simply screw into place. To achieve a tamper free fitting we recommend using a dab of stainless steel adhesive to act as a threadlock.

Modular DIY Range

Our most comprehensive and popular range of balustrade components. Produced from high quality 304 or 316 grade stainless steel. All the fittings in this range are based upon a wall thickness of 2.6mm ensuring that your installation is of the highest quality and will stand the test of time.

Product Information

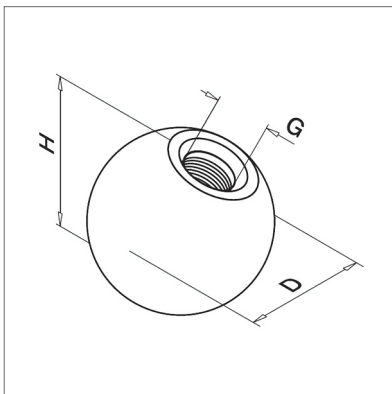
Available Options

Grade: 304 (interior) stainless steel.
Grade: 316 (exterior) stainless steel.

Ball Diameter: 20mm to 50mm.

To Fit: M6 or M8 thread.

To a brushed 320 grit satin finish.




For a tamper free fixing we recommend a dab of **stainless steel adhesive** to act as a threadlock.]



Key Features

304 Manufactured from 304 grade stainless steel.

316 Manufactured from 316 grade stainless steel.

 To a superb brushed 320 grit satin finish.

Care Instructions



We recommend you should treat your stainless steel balustrade on a regular basis to ensure long-lasting perfection. Using either WD-40 or a specialist chemical stainless steel cleaner to remove heavy dirt and rust stains.

Q-Ultra-Clean rebuilds and strengthens the passive layer of stainless steel.

Design

You can send us your drawings, technical drawings or even a freehand sketch.

From this we'll produce an accurate quotation for you. This service is completely free with no hassle or obligation.

Give us a call for any advice Monday to Friday 9.00am to 5.00pm

Contact us

Email: info@s3i.co.uk

Telephone: **01302 752 504**

Fax: **01302 752 410**