

# Solid Decorative End Ball for 12mm Bar



## MOD 0221

The perfect choice to make your balustrade stand out head and shoulders from the rest.

This solid end ball is available for interior (304 grade) and exterior (316 grade) applications. Finished to a superb brushed 320 grit satin finish. Designed with an opening for 12mm bar or rod. Installation couldn't be easier – simply fix with the use of stainless steel adhesive.

### Modular DIY Range

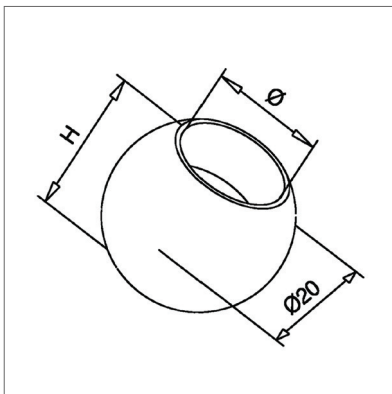
Our most comprehensive and popular range of balustrade components. Produced from high quality stainless steel ensuring your installation is of the highest quality and will stand the test of time.

### Product Information

#### Available Options

Grade: 304 (interior) stainless steel.  
Grade: 316 (exterior) stainless steel.

Ball Diameter: 20mm.  
To Fit: 12mm bar or rod.  
To a brushed 320 grit satin finish.



For rapid installation we recommend fixing with **high strength fixative**



## Key Features

- 304** Manufactured from 304 grade stainless steel.
- 316** Manufactured from 316 grade stainless steel.
- To a superb brushed 320 grit satin finish.
- For rapid installation, we recommend fixing with **high strength fixative**.

## Care Instructions



We recommend you should treat your stainless steel balustrade on a regular basis to ensure long-lasting perfection. Using either WD-40 or a specialist chemical stainless steel cleaner to remove heavy dirt and rust stains. **Q-Ultra-Clean** rebuilds and strengthens the passive layer of stainless steel.

## Design

You can send us your drawings, technical drawings or even a freehand sketch.

From this we'll produce an accurate quotation for you. This service is completely free with no hassle or obligation.

Give us a call for any advice Monday to Friday 9.00am to 5.00pm

Contact us

Email: [info@s3i.co.uk](mailto:info@s3i.co.uk)

Telephone: **01302 752 504**