

## Modular Balustrade Adjustable Elbow And Adapters For Hardwood Handrail

20.0302.042.12

Adjustable flush fitting elbow and two adapters. To fit 42mm diameter hardwood handrail, With an angle adjustment of 90 degrees in each direction this versatile elbow is the ideal choice for creating turns and angles in your hardwood balustrade handrail.

Designed to fit flush to give you an elegant and strong connection.

Available for interior use only, manufactured from 304 grade stainless steel with a brushed 320 grit satin finish.

Installation is quick and easy using a Q-tool for mounting adapter alignment, simply place the Q-tool over the end of your handrail, insert your adapter drill and use a countersunk screw to fix to the end of the hardwood handrail. Apply a high strength adhesive and attach your elbow into position, using a hex key to adjust the elbow to the angle required.

### Modular DIY Range

Our most comprehensive and popular range of balustrade components. Produced from high quality 304 or 316 grade stainless steel. All the fittings in this range are based upon a wall thickness of 2.6mm ensuring that your installation is of the highest quality and will stand the test of time.

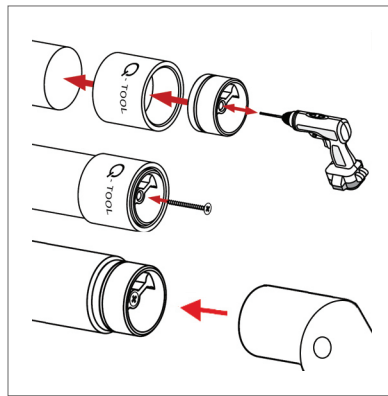
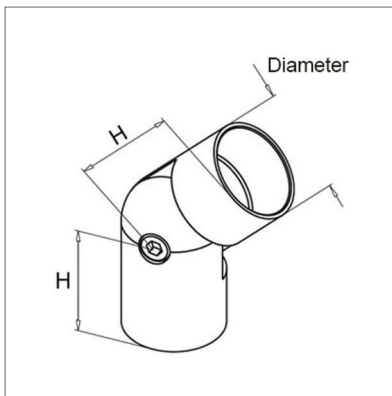
### Product Information

Grade: 304 (interior) stainless steel.










To Fit: 42mm diameter tube.

Adjustment: 90° in each direction.

To a brushed 320 grit satin finish.



### Key Features

-  Manufactured from 304 grade stainless steel.
-  To fit 42mm diameter wooden handrail.
-  To a brushed 320 grit satin finish.
-  Angle adjustment of 90° in each direction.
-  High strength adhesive required for installation.
-  Countersunk screws required for installation.
-  Screwdriver required for installation.
-  Drill required for installation.
-  Hex head key required for installation.



## Modular Balustrade Adjustable Elbow And Adapters For Hardwood Handrail

20.0302.042.12



For a perfect alignment and fit we recommend using a **Q-Tool** for hardwood handrail mounting adapter.



For installation we recommend using a **high strength adhesive**.



**Hex head key** required for installation.



**Countersunk screws** required for installation.

### Care Instructions



We recommend you should treat your stainless steel balustrade on a regular basis to ensure long-lasting perfection. Using either WD-40 or a specialist chemical stainless steel cleaner to remove heavy dirt and rust stains.

**Q-Ultra-Clean** rebuilds and strengthens the passive layer of stainless steel.

### Design

You can send us your drawings, technical drawings or even a freehand sketch.

From this we'll produce an accurate quotation for you. This service is completely free with no hassle or obligation.

Give us a call for any advice Monday to Friday 9.00am to 5.00pm

Contact us

Email: [info@s3i.co.uk](mailto:info@s3i.co.uk)

Telephone: **01302 752 504**

Fax: **01302 752 410**