

90° Tube Connector Smooth Radius - Flush Fitting



Mod 0303

Stylish and attractive smooth radius stainless steel 90° tube connector that will sit flush to your tube. Ideal for joining corner sections of handrail and tube quickly and neatly with very low tolerances.

No need to weld just simply glue the ends with a high strength stainless steel adhesive and insert into your tube to create a strong connection.

Available for either 42.4mm and 48.3mm diameter tube from our modular range.

Manufactured in either 304 (interior) grade or 316 (exterior) grade stainless steel available. To a high quality brushed 320 grit satin finish.

Modular DIY Range

Our most comprehensive and popular range of balustrade components. Produced from high quality stainless steel. All fittings in this range are based upon a wall thickness of 2mm ensuring that your installation is of the highest quality and will stand the test of time.

Product Information

Available Options

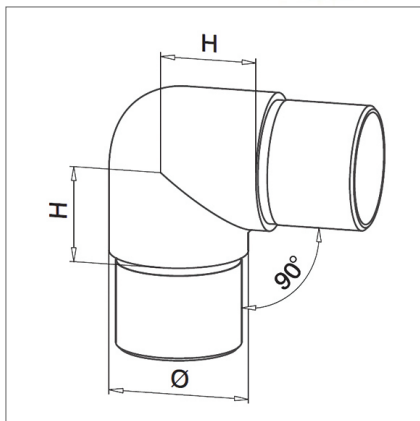
Grade: 304 (interior) stainless steel.

Grade: 316 (exterior) stainless steel.

To Fit: 42.4mm diameter tube.

To Fit: 48.3mm diameter tube.

To a brushed 320 grit satin finish.



For full dimensions please visit: <https://www.s3i.co.uk/modular-303-flush-90-smooth-connector.php>

Key Features

304

Manufactured from 304 grade stainless steel.

316

Manufactured from 316 grade stainless steel.

Ø 42.4

To fit 42.4mm diameter stainless steel tube.

Ø 48.3

To fit 48.3mm diameter stainless steel tube.



Brushed 320 grit satin finish.



Requires fixing with a high strength stainless steel adhesive.

Care Instructions



We recommend you should treat your stainless steel balustrade on a regular basis to ensure long-lasting perfection. Using either WD-40 or a specialist chemical stainless steel cleaner to remove heavy dirt and rust stains. **Q-Ultra-Clean** rebuilds and strengthens the passive layer of stainless steel.



For fixing into tube we recommend using a **high strength stainless steel adhesive**.

Design

You can send us your drawings, technical drawings or even a freehand sketch.

From this we'll produce an accurate quotation for you. This service is completely free with no hassle or obligation.

Give us a call for any advice Monday to Friday 9.00am to 5.00pm

Contact us

Email: info@s3i.co.uk

Telephone: **01302 752 504**