



Modular Balustrade 90° Tube Connector Smooth Radius - Flush Fitting

13.0303.042.12

Stylish and attractive smooth radius stainless steel 90° tube connector that will sit flush to your tube. Ideal for joining corner sections of handrail and tube quickly and neatly with very low tolerances.

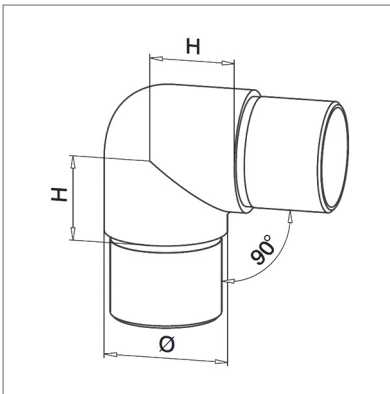
No need to weld just simply glue the ends with a high strength stainless steel adhesive and insert into your tube to create a strong connection.

Available for either 42.4mm and 48.3mm diameter tube from our modular range.

Manufactured in either 304 (interior) grade or 316 (exterior) grade stainless steel available. To a high quality brushed 320 grit satin finish.


Modular DIY Range


Our most comprehensive and popular range of balustrade components. Produced from high quality 304 or 316 grade stainless steel. All the fittings in this range are based upon a wall thickness of 2.6mm ensuring that your installation is of the highest quality and will stand the test of time.



Key Features

- 304** Manufactured from 304 grade stainless steel.
- 316** Manufactured from 316 grade stainless steel.
- Ø 42.4** To fit 42.4mm diameter stainless steel tube.
- Ø 48.3** To fit 48.3mm diameter stainless steel tube.

 To a brushed 320 grit satin finish.

 Requires fixing with a high strength stainless steel adhesive.

Product Information

Available Options

Grade: 304 (interior) stainless steel.
Grade: 316 (exterior) stainless steel.

To Fit: 42.4mm diameter tube.
To Fit: 48.3mm diameter tube.

To a brushed 320 grit satin finish.



Modular Balustrade 90° Tube Connector Smooth Radius - Flush Fitting

13.0303.042.12



For fixing into tubular posts we recommend using a [high strength stainless steel adhesive](#).

Care Instructions



We recommend you should treat your stainless steel balustrade on a regular basis to ensure long-lasting perfection. Using either WD-40 or a specialist chemical stainless steel cleaner to remove heavy dirt and rust stains.

Q-Ultra-Clean rebuilds and strengthens the passive layer of stainless steel.

Design

You can send us your drawings, technical drawings or even a freehand sketch.

From this we'll produce an accurate quotation for you. This service is completely free with no hassle or obligation.

Give us a call for any advice Monday to Friday 9.00am to 5.00pm

Contact us

Email: info@s3i.co.uk

Telephone: **01302 752 504**

Fax: **01302 752 410**