



## Modular Balustrade Flush Elbow and Adapter For Hardwood Handrail

20.0305.042.12 / 22.0305.042.12

Stainless steel flush fitting elbow and 2 x adapters. Ideal for creating a 90 degree corner in your hardwood balustrade handrail, designed to fit flush to give you a neat and strong connection.

Produced from 304 (interior) grade and 316 (exterior) grade stainless steel with a high quality brushed 320 grit satin finish.

Installation is quick and easy using a Q-tool for mounting adapter alignment, simply drill and use a countersunk screw to fix your adapter to the end of the hardwood handrail. Apply a high strength adhesive and attach your elbow into position.

### Modular DIY Range

Our most comprehensive and popular range of balustrade components. Produced from high quality 304 or 316 grade stainless steel, ensuring that your installation is of the highest quality and will stand the test of time.

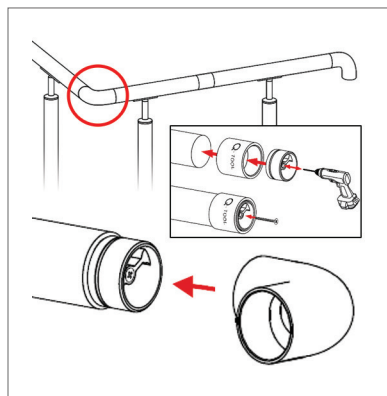
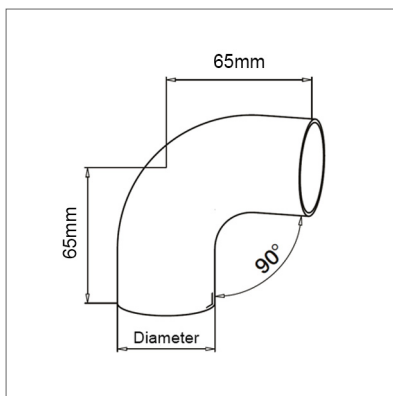
### Product Information

Available Options

Grade: 304 (interior) stainless steel.  
Grade: 316 (exterior) stainless steel.

To Fit: 42mm diameter tube.

To a brushed 320 grit satin finish.



### Key Features

- 304** Manufactured from 304 grade stainless steel.
- 316** Manufactured from 316 grade stainless steel.
- Ø 42** To fit 42mm diameter wooden handrail.
- To a brushed 320 grit satin finish.
- High strength adhesive required for installation.
- Countersunk screws required for installation.
- Screwdriver required for installation.
- Drill required for installation.



## Modular Balustrade Flush Elbow And Adapter For Hardwood Handrail

20.0305.042.12 / 22.0305.042.12



For a perfect alignment and fit we recommend using a [Q-Tool for hardwood handrail mounting adapter](#).



For installation we recommend using a [high strength adhesive](#).



Countersunk screws required for installation.

### Care Instructions



We recommend you should treat your stainless steel balustrade on a regular basis to ensure long-lasting perfection. Using either WD-40 or a specialist chemical stainless steel cleaner to remove heavy dirt and rust stains.

[Q-Ultra-Clean](#) rebuilds and strengthens the passive layer of stainless steel.

### Design

You can send us your drawings, technical drawings or even a freehand sketch.

From this we'll produce an accurate quotation for you. This service is completely free with no hassle or obligation.

Give us a call for any advice Monday to Friday 9.00am to 5.00pm

Contact us

Email: [info@s3i.co.uk](mailto:info@s3i.co.uk)

Telephone: **01302 752 504**