

## Modular Balustrade 0-70° Adjustable Elbow and Adapters - Hardwood Handrail

22.0312.042.12

Stainless steel adjustable elbow and two adapters. With an angle adjustment of 0-70 degrees this elbow is the ideal choice for creating angles in your hardwood balustrade handrail.

Designed to fit flush to give you a strong and long-lasting connection.

To fit 42mm diameter hardwood handrail.

316 (exterior) grade stainless steel are available, finished to a brushed 320 grit satin.

Installation is quick and easy using a Q-tool for mounting adapter alignment, simply place the Q-tool over the end of your handrail, insert your adapter, drill and use a countersunk screw to fix to the end of the hardwood handrail. Apply a high strength adhesive and attach your elbow into position, using a hex key to adjust the elbow to the angle required.

### Modular DIY Range

Our most comprehensive and popular range of balustrade components. Produced from high quality 316 grade stainless steel ensuring that your installation is of the highest quality and will stand the test of time.

### Product Information

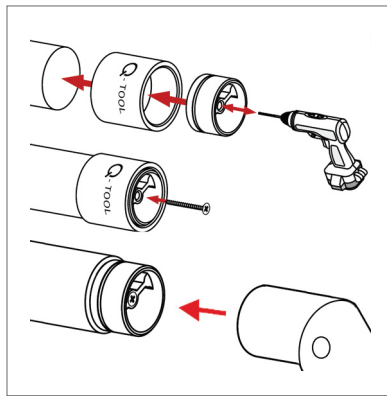
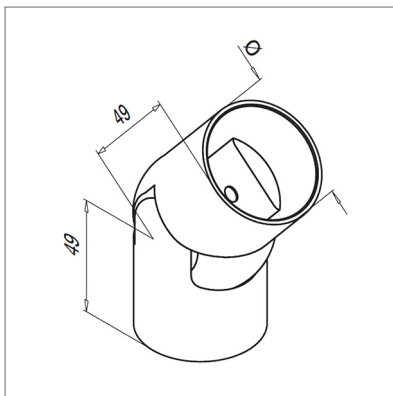
Available Options

Grade: 316 (exterior) stainless steel.










To Fit: 42mm diameter tube.

Adjustment: 0-70°.

To a brushed 320 grit satin finish.



### Key Features

-  Manufactured from 316 grade stainless steel.
-  To fit 42mm diameter wooden handrail.
-  To a brushed 320 grit satin finish.
-  Angle adjustment of 0-70°.
-  High strength adhesive required for installation.
-  Countersunk screws required for installation.
-  Screwdriver required for installation.
-  Drill required for installation.
-  Hex head key required for installation.



## Modular Balustrade 0-70° Adjustable Elbow and Adapters For Hardwood Handrail

22.0312.042.12



For a perfect alignment and fit we recommend using a **Q-Tool** for hardwood handrail mounting adapter.



For installation we recommend using a **high strength adhesive**.



**Hex head key** required for installation.



**Countersunk screws** required for installation.

### Care Instructions



We recommend you should treat your stainless steel balustrade on a regular basis to ensure long-lasting perfection. Using either WD-40 or a specialist chemical stainless steel cleaner to remove heavy dirt and rust stains.

**Q-Ultra-Clean** rebuilds and strengthens the passive layer of stainless steel.

### Design

You can send us your drawings, technical drawings or even a freehand sketch.

From this we'll produce an accurate quotation for you. This service is completely free with no hassle or obligation.

Give us a call for any advice Monday to Friday 9.00am to 5.00pm

Contact us

Email: [info@s3i.co.uk](mailto:info@s3i.co.uk)

Telephone: **01302 752 504**