



## Modular Balustrade Adjustable Angle Connector - Tube To Tube - Flush Fitting

13.0312.042.12

Flush fitting adjustable angle connector for handrail and tube to provide you with a strong and neat way to join balustrade tubes together, offering an angle adjustment of 0-70°.

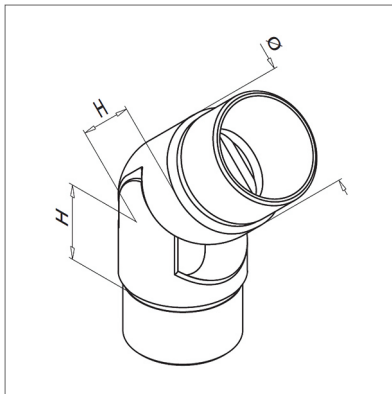
Manufactured to fit either 42.4mm and 48.3mm diameter tube.

Options of 304 grade (internal) and 316 grade (external) stainless steel available, to a brushed 320 grit satin finish.

For a quick and easy installation glue the ends with a high strength stainless steel adhesive and insert into your tube to the angle required and leave to set to form a strong connection.

### Modular DIY Range

Our most comprehensive and popular range of balustrade components. Produced from high quality 304 or 316 grade stainless steel. All the fittings in this range are based upon a wall thickness of 2.6mm ensuring that your installation is of the highest quality and will stand the test of time.



### Key Features

- 304** Manufactured from 304 grade stainless steel.
- 316** Manufactured from 316 grade stainless steel.
- Ø 42.4** To fit 42.4mm diameter stainless steel tube.
- Ø 48.3** To fit 48.3mm diameter stainless steel tube.
- To a brushed 320 grit satin finish.
- Adjustment of 0-70°
- Requires fixing with a high strength stainless steel adhesive.

### Product Information

#### Available Options

Grade: 304 (interior) stainless steel.  
Grade: 316 (exterior) stainless steel.

To Fit: 42.4mm diameter tube.  
To Fit: 48.3mm diameter tube.

Angle Adjustment: 0-70°.  
To a brushed 320 grit satin finish.



## Modular Balustrade Adjustable Angle Connector Tube To Tube - Flush Fitting

13.0312.042.12



For fixing into tubular posts we recommend using a [high strength stainless steel adhesive](#).

### Care Instructions



We recommend you should treat your stainless steel balustrade on a regular basis to ensure long-lasting perfection. Using either WD-40 or a specialist chemical stainless steel cleaner to remove heavy dirt and rust stains.

**Q-Ultra-Clean** rebuilds and strengthens the passive layer of stainless steel.

### Design

You can send us your drawings, technical drawings or even a freehand sketch.

From this we'll produce an accurate quotation for you. This service is completely free with no hassle or obligation.

Give us a call for any advice Monday to Friday 9.00am to 5.00pm

Contact us

Email: [info@s3i.co.uk](mailto:info@s3i.co.uk)

Telephone: **01302 752 504**

Fax: **01302 752 410**