

Adjustable Angle Tube Connector - Post to Handrail



Mod 0319

Flush fitting adjustable angle connector for insertion in to the top of posts to connect handrail, providing a strong and neat way to join balustrade tubes together, offering an angle adjustment of 40°-70°.

Manufactured to fit either 42.4mm and 48.3mm diameter tube.

Manufactured from 316 grade (external) stainless steel, with a brushed 320 grit satin finish.

For a quick and easy installation glue the ends with a high strength stainless steel adhesive and insert into your tube to the angle required and leave to set to form a strong connection.

Modular DIY Range

Our most comprehensive and popular range of balustrade components. Produced from high quality stainless steel. All fittings in this range are based upon a wall thickness of 2mm ensuring that your installation is of the highest quality and will stand the test of time.

Product Information

Available Options

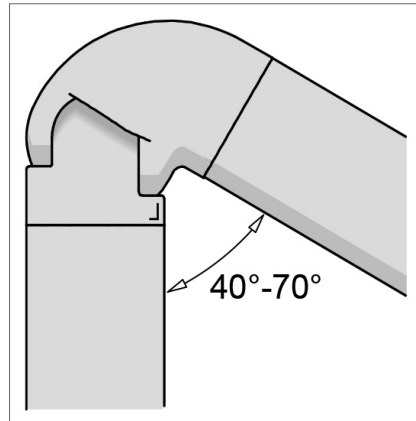
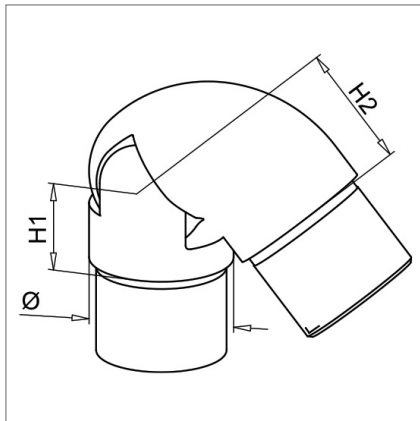
Grade: 316 (exterior) stainless steel.

To Fit: 42.4mm diameter tube.

To Fit: 48.3mm diameter tube.

Angle Adjustment: 40°-70°.

To a brushed 320 grit satin finish.



For full dimensions please visit: <https://www.s3i.co.uk/flush-adjustable-angle-tube-connector-0319.php>

Key Features

316

Manufactured from 316 grade stainless steel.

Ø 42.4

To fit 42.4mm diameter stainless steel tube.

Ø 48.3

To fit 48.3mm diameter stainless steel tube.



Adjustment of 40°- 70°



Requires fixing with a high strength stainless steel adhesive.

Care Instructions



We recommend you should treat your stainless steel balustrade on a regular basis to ensure long-lasting perfection. Using either WD-40 or a specialist chemical stainless steel cleaner to remove heavy dirt and rust stains. **Q-Ultra-Clean** rebuilds and strengthens the passive layer of stainless steel.



For fixing into tubular posts we recommend using a **high strength stainless steel adhesive**.

Design

You can send us your drawings, technical drawings or even a freehand sketch.

From this we'll produce an accurate quotation for you. This service is completely free with no hassle or obligation.

Give us a call for any advice Monday to Friday 9.00am to 5.00pm

Contact us

Email: info@s3i.co.uk

Telephone: **01302 752 504**