



Modular Balustrade Wall Mount Flange Fixing

13.0505.042.12

Wall mounting flange for tubular railing. Ideal for terminating handrail sections onto flat wall surfaces. Quick and easy to install with the use of countersunk screws. Simply attach to wall surface, insert tube and tighten the grub screw to provide a secure fixing.

Available to fit 42.4mm or 48.3mm diameter tube, with options for 304 (internal) grade and 316 (external) grade stainless steel available.

Manufactured to work with other components from our modular range.

Modular DIY Range

Our most comprehensive and popular range of balustrade components. Produced from high quality 304 or 316 grade stainless steel. All the fittings in this range are based upon a wall thickness of 2.6mm ensuring that your installation is of the highest quality and will stand the test of time

Product Information

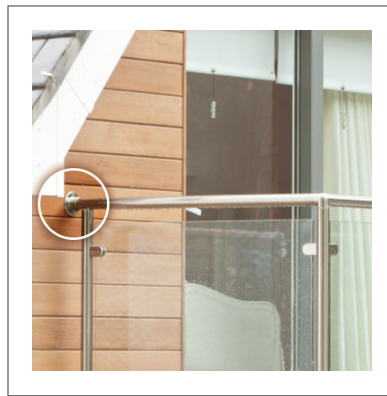
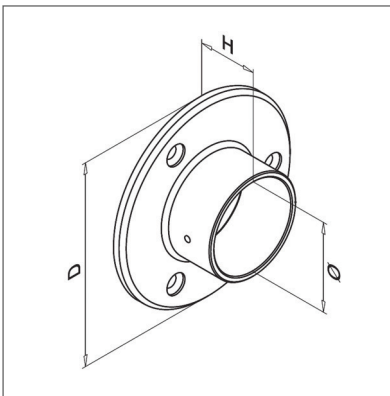
Available Options

Grade: 304 (interior) stainless steel.
Grade: 316 (exterior) stainless steel.

To Fit: 42.4mm diameter tube.

To Fit: 48.3mm diameter tube.

To a brushed 320 grit satin finish.



Key Features

- 304** Manufactured from 304 grade stainless steel.
- 316** Manufactured from 316 grade stainless steel.
- Ø 42.4** To fit 42.4mm diameter tube.
- Ø 48.3** To fit 48.3mm diameter tube.

- To a brushed 320 grit satin finish.
- Hex key required for fixing tube.
- Screwdriver required for installation.

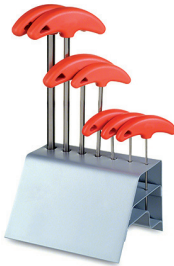


Modular Balustrade Wall Mount Flange Fixing

13.0505.042.12



Countersunk screws recommended for installation.



Use of a hex head key required for installation.

Care Instructions



We recommend you should treat your stainless steel balustrade on a regular basis to ensure long-lasting perfection. Using either WD-40 or a specialist chemical stainless steel cleaner to remove heavy dirt and rust stains.

Q-Ultra-Clean rebuilds and strengthens the passive layer of stainless steel.

Design

You can send us your drawings, technical drawings or even a freehand sketch.

From this we'll produce an accurate quotation for you. This service is completely free with no hassle or obligation.

Give us a call for any advice Monday to Friday 9.00am to 5.00pm

Contact us

Email: info@s3i.co.uk

Telephone: **01302 752 504**

Fax: **01302 752 410**