



## Modular Balustrade Handrail Bracket Cover Cap

**13.0519.065.12**

This balustrade cover cap adds a stylish finishing touch to our flat to screw fix bracket - Model 0118.

Quick and easy to install, just insert over the top of your bracket and push fit.

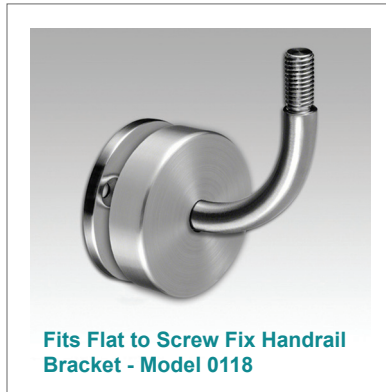
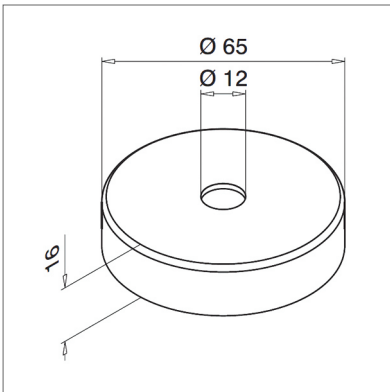
Produced from zinc to a stainless steel effect finish.

### Modular DIY Range

Our most comprehensive and popular range of balustrade components. Produced from high quality 304 or 316 grade stainless steel. All the fittings in this range are based upon a wall thickness of 2.6mm ensuring that your installation is of the highest quality and will stand the test of time.

### Product Information

Zinc - with a stainless steel effect.  
Centre Hole Diameter: 12mm.  
Diameter: 65mm.  
Height: 16mm.



## Key Features

**Zinc** Manufactured from zinc to a stainless steel effect finish.

## Care Instructions



We recommend you should treat your stainless steel balustrade on a regular basis to ensure long-lasting perfection. Using either WD-40 or a specialist chemical stainless steel cleaner to remove heavy dirt and rust stains.

**Q-Ultra-Clean** rebuilds and strengthens the passive layer of stainless steel.

## Design

You can send us your drawings, technical drawings or even a freehand sketch.

From this we'll produce an accurate quotation for you. This service is completely free with no hassle or obligation.

Give us a call for any advice Monday to Friday 9.00am to 5.00pm

Contact us

Email: [info@s3i.co.uk](mailto:info@s3i.co.uk)

Telephone: **01302 752 504**

Fax: **01302 752 410**