



## Modular Balustrade Tube Spacer Bracket - Flat

13.0625.042.12

Flat fixing balustrade tube spacer connector ideal for joining additional sections of handrail and tube.

Options available to fit either 42.4mm or 48.3mm diameter tube. Manufactured in either 304 (interior) grade or 316 (exterior) grade stainless steel, to a brushed 320 grit satin finish.

Installation is simple with the use of a [M8 x 35 hex head screw](#) for balustrade system fitting or a woodscrew for other applications. The perfect choice for wall mounting with a blind connection. Designed to fit accurately with low tolerances.

### Modular DIY Range

Our most comprehensive and popular range of balustrade components. Produced from high quality 304 or 316 grade stainless steel. All the fittings in this range are based upon a wall thickness of 2.6mm ensuring that your installation is of the highest quality and will stand the test of time.

### Product Information

#### Available Options

Grade: 304 (interior) stainless steel.  
Grade: 316 (exterior) stainless steel.

To Fit: 42.4mm diameter tube.

To Fit: 48.3mm diameter tube.

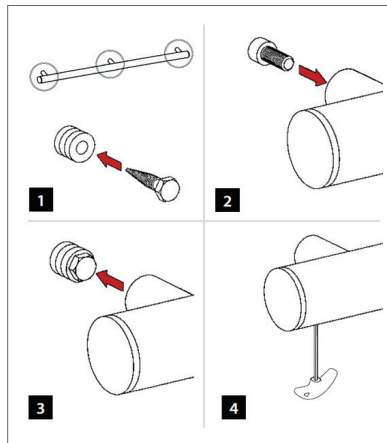
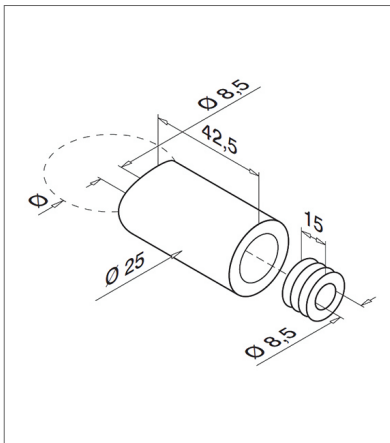
Stand Off: 42.5mm

### Contact Us

Email: [info@s3i.co.uk](mailto:info@s3i.co.uk)

Telephone: 01302 752 504

Fax: 01302 752 410



### Key Features

- 304** Manufactured from 304 grade stainless steel.
- 316** Manufactured from 316 grade stainless steel.
- Ø 42.4** Available for 42.4mm diameter stainless steel tube.
- Ø 48.3** Available for 48.3mm diameter stainless steel tube.
- To a superb brushed 320 grit satin finish.
- This product requires a **hex head key** for installation.
- Requires a **M8 x 35 hex head screw**

### Care Instructions



We recommend you should treat your stainless steel balustrade on a regular basis to ensure long-lasting perfection. Using either WD-40 or a specialist chemical stainless steel cleaner to remove heavy dirt and rust stains.

**Q-Ultra-Clean** is the perfect choice for your stainless steel.

### Design

You can send us your drawings, technical drawings or even a freehand sketch. From this we'll produce an accurate quotation for you.

This service is completely free with no hassle or obligation.

Give us a call for any advice Monday to Friday 9.00am to 5.00pm