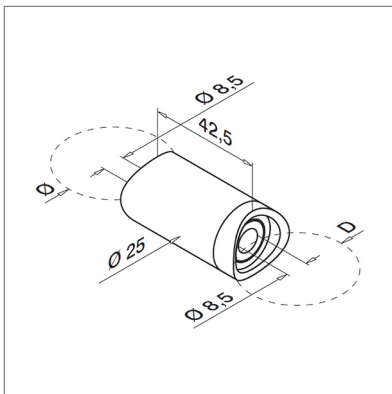
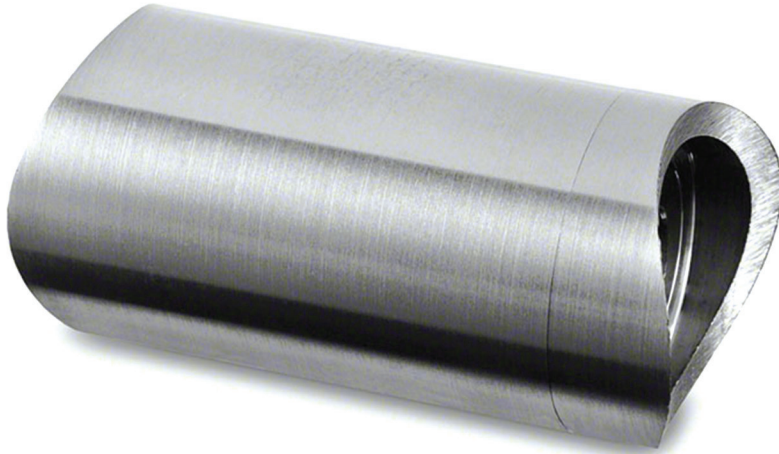


Modular Balustrade Tube Spacer Bracket - Tube

13.0627.042.12



Tube spacer connector designed with very low tolerances for joining additional sections of tubular handrail. Ideal choice for mounting tubes together neatly and quickly.

Combinations available to fit either 42.4mm or 48.3mm diameter tube. Produced from 304 (interior) grade stainless steel to a brushed satin finish.

Installation is straightforward with the use of a **M8 x 35 hex head screw**.

Modular DIY Range

Our most comprehensive and popular range of balustrade components. Produced from high quality 304 grade stainless steel. All the fittings in this range are based upon a wall thickness of 2.6mm ensuring that your installation is of the highest quality and will stand the test of time.

Key Features

- 304** Manufactured from 304 grade stainless steel.
- Ø 42.4** Available for 42.4mm diameter stainless steel tube.
- Ø 48.3** Available for 48.3mm diameter stainless steel tube.
- To a superb brushed 320 grit satin finish.
- This product requires a **hex head key** for installation.
- Requires a **M8 x 35 hex head screw**

Care Instructions



We recommend you should treat your stainless steel balustrade on a regular basis to ensure long-lasting perfection. Using either WD-40 or a specialist chemical stainless steel cleaner to remove heavy dirt and rust stains.

Q-Ultra-Clean is the perfect choice for your stainless steel.

Design

You can send us your drawings, technical drawings or even a freehand sketch. From this we'll produce an accurate quotation for you.

This service is completely free with no hassle or obligation.

Give us a call for any advice Monday to Friday 9.00am to 5.00pm

Product Information

Available Options

Grade: 304 (interior) stainless steel.

To Fit: 42.4mm diameter tube.

To Fit: 48.3mm diameter tube.

Stand Off: 42.5mm

To a brushed 320 grit satin finish.

Contact Us

Email: info@s3i.co.uk

Telephone: **01302 752 504**

Fax: **01302 752 410**