



Modular Balustrade Handrail Support In-Line - Flat

13.0708.000.12

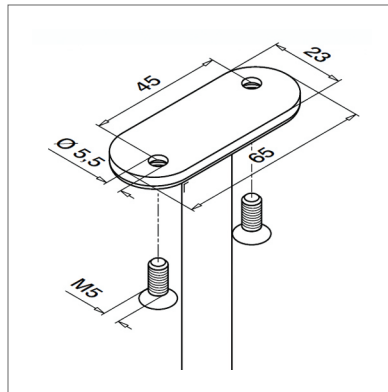
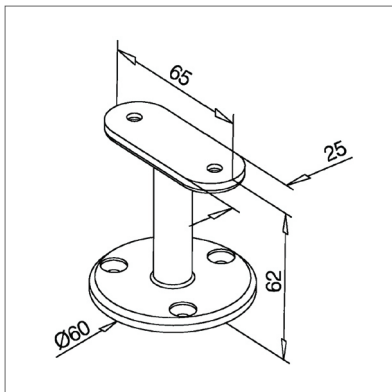
The perfect choice for wall top mounting, this balustrade support with base plate for fixing with screws is ideal for flat timber handrail.

This support is available for internal and external use, both finished to a brushed 320 grit satin finish.

Installation is quick and easy using countersunk screws with rawl plugs.

For attaching wooden handrail we recommend using countersunk screws.

For attaching square stainless steel handrail we recommend using two **M5 x 20 hex head countersunk screws**.



Modular DIY Range

Our most comprehensive and popular range of balustrade components. Produced from high quality 304 or 316 grade stainless steel. All the fittings in this range are based upon a wall thickness of 2.6mm ensuring that your installation is of the highest quality and will stand the test of time.

Product Information

Available Options

Grade: 304 (interior) stainless steel.
Grade: 316 (exterior) stainless steel.

To support flat handrail.
Plate Diameter: 60mm.
Stand Off Height: 62mm.
To a brushed 320 grit satin finish.

Key Features

- 304** Manufactured from 304 grade stainless steel.
- 316** Manufactured from 316 grade stainless steel.
- Flat** To support flat handrail.
- To a brushed 320 grit satin finish.

- Screwdriver required for installation.
- For attaching wooded handrail we recommend using countersunk screws.
- Hex head key maybe required dependent on your choice of fittings.
- For attaching square stainless steel handrail we recommend using two **M5 x 20 hex head countersunk screws**.



Modular Balustrade Handrail Support In-Line - Flat

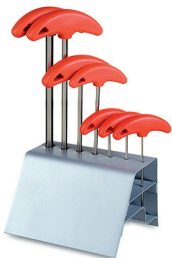
13.0708.000.12



We recommend using countersunk screws for fixing your handrail support.



For attaching square stainless steel handrail we recommend using two **M5 x 20 hex head countersunk screws**.



Use of a **hex head key** may be required for installation if attaching stainless steel handrail.

Care Instructions



We recommend you should treat your stainless steel balustrade on a regular basis to ensure long-lasting perfection. Using either WD-40 or a specialist chemical stainless steel cleaner to remove heavy dirt and rust stains.

Q-Ultra-Clean rebuilds and strengthens the passive layer of stainless steel.

Design

You can send us your drawings, technical drawings or even a freehand sketch.

From this we'll produce an accurate quotation for you. This service is completely free with no hassle or obligation.

Give us a call for any advice Monday to Friday 9.00am to 5.00pm

Contact us

Email: info@s3i.co.uk

Telephone: **01302 752 504**

Fax: **01302 752 410**