



Modular Balustrade Handrail Support In-Line - Tube

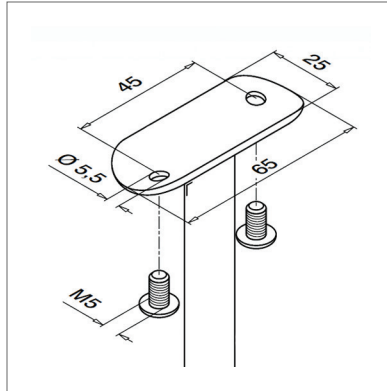
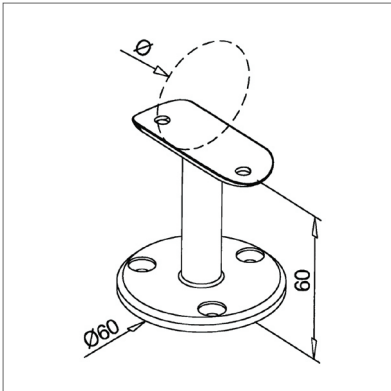
13.0708.042.12

Balustrade tube support with base plate for fixing with screws, ideal for wall top mounting. The curved support is perfect for 42.4mm or 48.3mm tubular railing sections.

Options are available for internal and external use, both finished to a high quality brushed 320 grit satin finish.

Installation is quick and easy using countersunk screws with rawl plugs.

For attaching a stainless steel handrail we recommend using [M5 x 16 hex head button cap screws](#).



Modular DIY Range

Our most comprehensive and popular range of balustrade components. Produced from high quality 304 or 316 grade stainless steel. All the fittings in this range are based upon a wall thickness of 2.6mm ensuring that your installation is of the highest quality and will stand the test of time.

Product Information

Available Options

Grade: 304 (interior) stainless steel.
Grade: 316 (exterior) stainless steel.

To support: 42.4mm diameter tube.
To Support: 48.3mm diameter tube.

Plate Diameter: 60mm.
Stand Off Height: 62mm.
To a brushed 320 grit satin finish.

Key Features

- 304** Manufactured from 304 grade stainless steel.
- 316** Manufactured from 316 grade stainless steel.
- Ø 42.4** To support 42.4mm diameter stainless steel tube.
- Ø 48.3** To support 48.3mm diameter stainless steel tube.

- To a brushed 320 grit satin finish.
- Suitable for fixing with countersunk screws.
- Screwdriver required for installation.
- Hex head key required for installation.
- For attaching stainless steel handrail we recommend using two [M5 x 16 hex head button cap screws](#).



Modular Balustrade Handrail Support In-Line - Tube

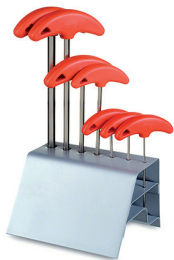
13.0708.042.12



We recommend using countersunk screws for fixing your handrail support.



For attaching stainless steel handrail we recommend using two M5 x 16 hex head button cap screws.



Use of a hex head key may be required for installation if attaching stainless steel handrail.

Care Instructions



We recommend you should treat your stainless steel balustrade on a regular basis to ensure long-lasting perfection. Using either WD-40 or a specialist chemical stainless steel cleaner to remove heavy dirt and rust stains.

Q-Ultra-Clean rebuilds and strengthens the passive layer of stainless steel.

Design

You can send us your drawings, technical drawings or even a freehand sketch.

From this we'll produce an accurate quotation for you. This service is completely free with no hassle or obligation.

Give us a call for any advice Monday to Friday 9.00am to 5.00pm

Contact us

Email: info@s3i.co.uk

Telephone: **01302 752 504**

Fax: **01302 752 410**