



## Modular Balustrade Handrail Saddle 135° - Tube

Stainless steel handrail saddle with a curved fixing mount, perfect for joining balustrade railing at a 135 degree angle.

Designed for fixing into and to support either 42.4mm or 48.3mm diameter stainless steel tube. Ideal choice for tubular hardwood handrail.

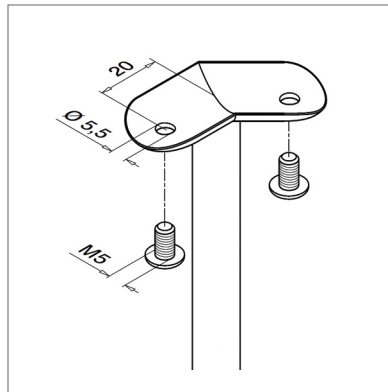
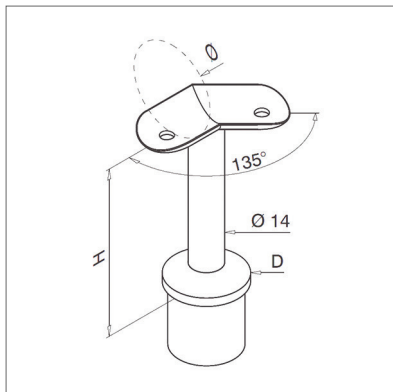
Manufactured from 316 (external) grade stainless steel, finished to a superb brushed 320 grit satin.

Quick and easy to install using a high strength stainless steel adhesive. Simply apply glue and insert into post, align your saddle to the correct position. Once the glue has had time to set you can then attach your chosen handrail.

For attaching a stainless steel handrail we recommend using **M5 x 16 hex head button cap screws**.

### Modular DIY Range

Our most comprehensive and popular range of balustrade components. Produced from high quality 304 or 316 grade stainless steel. All the fittings in this range are based upon a wall thickness of 2.6mm ensuring that your installation is of the highest quality and will stand the test of time.



### Key Features

- 316** Manufactured from 316 grade stainless steel.
- Ø 42.4** To fit 42.4mm diameter tube.
- Ø 48.3** To fit 48.3mm diameter tube.

- To a brushed 320 grit satin finish.
- High strength adhesive required for installation.
- Hex head key may be required for installation if attaching stainless steel handrail.
- For attaching stainless steel handrail we recommend using two **M5 x 16 hex head button cap screws**.

### Product Information

#### Available Options

Grade: 316 (exterior) stainless steel.

To Fit: 42.4mm diameter tube.

To Fit: 48.3mm diameter tube.

Saddle Angle: 135 degree.

To a brushed 320 grit satin finish.



## Modular Balustrade Handrail Saddle 135° - Tube



We recommend a **high strength stainless steel adhesive** for fixing your handrail saddle.

### Care Instructions



We recommend you should treat your stainless steel balustrade on a regular basis to ensure long-lasting perfection. Using either WD-40 or a specialist chemical stainless steel cleaner to remove heavy dirt and rust stains.

**Q-Ultra-Clean** rebuilds and strengthens the passive layer of stainless steel.

### Design

You can send us your drawings, technical drawings or even a freehand sketch.

From this we'll produce an accurate quotation for you. This service is completely free with no hassle or obligation.

Give us a call for any advice Monday to Friday 9.00am to 5.00pm

Contact us

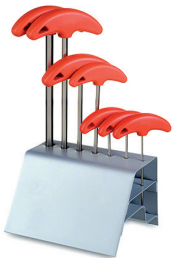
Email: [info@s3i.co.uk](mailto:info@s3i.co.uk)

Telephone: **01302 714 513**

Fax: **01302 714 532**



For attaching stainless steel handrail we recommend using two **M5 x 16 hex head button cap screws**.



Use of a **hex head key** may be required for installation if attaching stainless steel handrail.