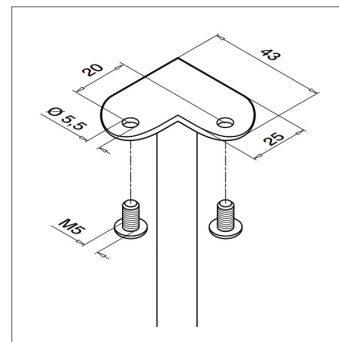
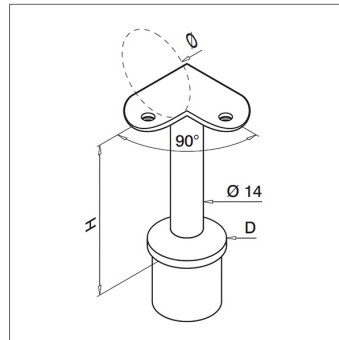


# Balustrade Handrail Saddle - 90° - Tube



## Mod 0710 / 0711

Stainless steel handrail saddle with a 90 degree curved fixing mount, perfect for balustrade corners. Designed for fixing into and to support either 42.4mm or 48.3mm diameter stainless steel tube, an ideal choice for wooden handrail.

Produced from 304 (internal) grade or 316 (external) grade stainless steel, with a brushed 320 grit satin finish.

Easy to install using a high strength stainless steel adhesive. Simply apply glue and insert into post, align your saddle to the correct position. Once the glue has had time to set you can attach your chosen handrail.

For attaching a stainless steel handrail we recommend using **M5 x 16 hex head button cap screws.**

### Modular DIY Range

Our most comprehensive and popular range of balustrade components. Produced from high quality stainless steel. All fittings in this range are based upon a wall thickness of 2mm ensuring that your installation is of the highest quality and will stand the test of time.

### Product Information

Available Options

Grade: 304 (interior) stainless steel.  
Grade: 316 (exterior) stainless steel.

To Fit: 42.4mm diameter tube.  
To Fit: 48.3mm diameter tube.

Saddle Angle: 90 degree.  
Brushed 320 grit satin finish.

### Design

You can send us your drawings, technical drawings or even a freehand sketch.

From this we'll produce an accurate quotation for you. This service is completely free with no hassle or obligation.

Give us a call for any advice Monday to Friday 9.00am to 5.00pm

Contact us

Email: [info@s3i.co.uk](mailto:info@s3i.co.uk)

Telephone: **01302 752 504**

For full dimensions please visit: <https://www.s3i.co.uk/modular-709-handrail-saddle-90-tube.php>

## Key Features

- 304** Manufactured from 304 grade stainless steel.
- 316** Manufactured from 316 grade stainless steel.
- Ø 42.4** To fit 42.4mm diameter stainless steel tube.
- Ø 48.3** To fit 48.3mm diameter stainless steel tube.
- Brushed 320 grit satin finish.
- High strength adhesive required for installation.
- We recommend two M5 x 16 hex head button cap screws for handrail

## Care Instructions



We recommend you should treat your stainless steel balustrade on a regular basis to ensure long-lasting perfection. Using either WD-40 or a specialist chemical stainless steel cleaner to remove heavy dirt and rust stains. **Q-Ultra-Clean** rebuilds and strengthens the passive layer of stainless steel.



To attach into tubular posts we recommend using a **high strength stainless steel adhesive.**



To attach handrail we recommend using two **M5 x 16 hex head button cap screws.**