



Modular Balustrade Adjustable Handrail Saddle In-Line - Tube

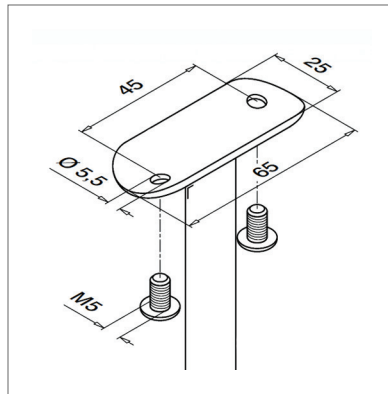
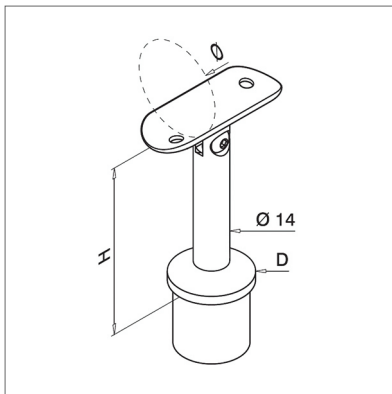
13.0718.042.12 / 13.0718.048.12
13.0719.042.12 / 13.0719.048.12

Tube fixing adjustable handrail saddle with curved support, designed to fit into and accept either 42.4mm or 48.3mm diameter tube.

Options of 304 (interior) grade and 316 (exterior) grade stainless steel available. Finished to a brushed 320 grit satin. Saddle adjustment is made with the use of a hex key.

An ideal choice for inclines such as stairs and ramps.

Installation is quick and easy using a [high strength stainless steel adhesive](#).



For attaching a stainless steel handrail we recommend using [M5 x 16 hex head button cap screws](#).

Modular DIY Range

Our most comprehensive and popular range of balustrade components. Produced from high quality 304 or 316 grade stainless steel. All the fittings in this range are based upon a wall thickness of 2.6mm ensuring that your installation is of the highest quality and will stand the test of time.

Key Features

- 304** Manufactured from 304 grade stainless steel.
- 316** Manufactured from 316 grade stainless steel.
- Ø 42.4** To fit 42.4mm diameter stainless steel tube.
- Ø 48.3** To fit 48.3mm diameter stainless steel tube.
- To a brushed 320 grit satin finish.

- Total adjustment of 270°.
- For rapid installation we recommend using a [high strength fixative](#).
- Hex head key required for installation.
- For attaching stainless steel handrail we recommend using two [M5 x 16 hex head button cap screws](#).

Product Information

Available Options

Grade: 304 (interior) stainless steel.
Grade: 316 (exterior) stainless steel.

To Fit: 42.4mm diameter tube.
To Fit: 48.3mm diameter tube.

Total Adjustment: 270°.
To a brushed 320 grit satin finish.



Modular Balustrade Adjustable Handrail Saddle In-Line - Tube

13.0718.042.12 / 13.0718.048.12 / 13.0719.042.12 / 13.0719.048.12



For fixing into tubular posts we recommend using a **high strength stainless steel adhesive**.

Care Instructions



We recommend you should treat your stainless steel balustrade on a regular basis to ensure long-lasting perfection. Using either WD-40 or a specialist chemical stainless steel cleaner to remove heavy dirt and rust stains.

Q-Ultra-Clean rebuilds and strengthens the passive layer of stainless steel.

Design

You can send us your drawings, technical drawings or even a freehand sketch.

From this we'll produce an accurate quotation for you. This service is completely free with no hassle or obligation.

Give us a call for any advice Monday to Friday 9.00am to 5.00pm

Contact us

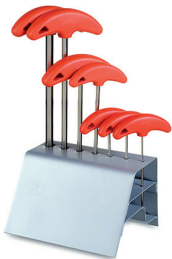
Email: info@s3i.co.uk

Telephone: **01302 752 504**

Fax: **01302 752 410**



For attaching stainless steel handrail we recommend using two **M5 x 16 hex head button cap screws**.



Use of a **hex head key** may be required for installation if attaching stainless steel handrail.