

# Balustrade Mounting Adapter - Flat Handrail

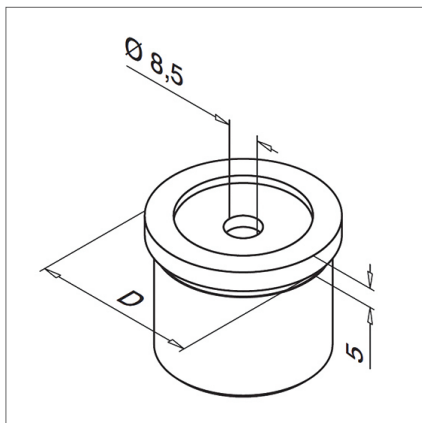


## Mod 0725

Mounting adapter with flat top for fixing into tube, ideal for when an ultra flush fit is required for flat handrails on tubular posts. Available for indoor and outdoor applications to fit 42.4mm tube. Easy to install with the use of a M8 x 20 hex head screw, a hex key and a high strength stainless steel adhesive - available separately.

### Modular DIY Range

Our most comprehensive and popular range of balustrade components. Produced from high quality stainless steel. All fittings in this range are based upon a wall thickness of 2mm ensuring that your installation is of the highest quality and will stand the test of time.



### Product Information

#### Available Options

- Grade: 304 (interior) stainless steel.
- Grade: 316 (exterior) stainless steel.
- To Fit: 42.4mm diameter tube.
- Stand Off Height: 5mm.
- To a brushed 320 grit satin finish.

## Key Features

- 304** Manufactured from 304 grade stainless steel.
- 316** Manufactured from 316 grade stainless steel.
- Ø 42.4** To fit 42.4mm diameter stainless steel tube.
- Brushed 320 grit satin finish.
- Requires high strength stainless steel adhesive.
- This product requires **M8 x 20 Hex Socket Head Cap Screw**

## Care Instructions



We recommend you should treat your stainless steel balustrade on a regular basis to ensure long-lasting perfection. Using either WD-40 or a specialist chemical stainless steel cleaner to remove heavy dirt and rust stains. **Q-Ultra-Clean** rebuilds and strengthens the passive layer of stainless steel.



For fixing into tubular posts we recommend using a **high strength stainless steel adhesive**.

## Design

You can send us your drawings, technical drawings or even a freehand sketch.

From this we'll produce an accurate quotation for you. This service is completely free with no hassle or obligation.

Give us a call for any advice Monday to Friday 9.00am to 5.00pm

Contact us

Email: [info@s3i.co.uk](mailto:info@s3i.co.uk)  
 Telephone: **01302 752 504**