



## Modular Balustrade Decorative Tube End Scroll

**13.0739.042.12**

Beautifully finished decorative end scroll for modular balustrade systems. This versatile piece is designed to fit flush into the end of stainless steel tube. Produced from 304 grade (interior) or 316 grade (exterior) stainless steel to a brushed 320 grit satin finish. Options available for either 42.4mm or 48.3mm diameter tube. Fitting is easy with the use of a high strength stainless steel adhesive.

### Modular DIY Range

Our most comprehensive and popular range of balustrade components. Produced from high quality 304 or 316 grade stainless steel. All the fittings in this range are based upon a wall thickness of 2.6mm ensuring that your installation is of the highest quality and will stand the test of time.

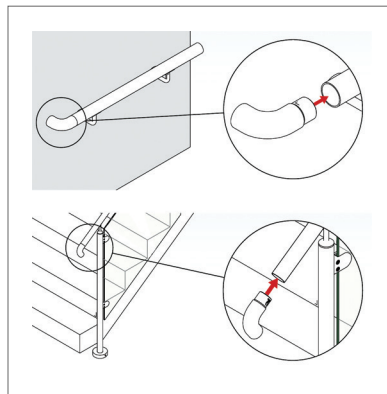
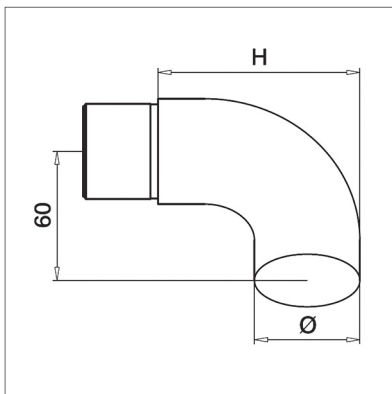
### Product Information

#### Available Options

Grade: 304 (interior) stainless steel.  
Grade: 316 (exterior) stainless steel.

To Fit: 42.4mm diameter tube.  
To Fit: 48.3mm diameter tube.

To a brushed 320 grit satin finish.



### Key Features

- 304** Manufactured from 304 grade stainless steel.
- 316** Manufactured from 316 grade stainless steel.
- Ø 42.4** To fit 42.4mm diameter stainless steel.
- Ø 48.3** To fit 48.3mm diameter stainless steel.
- To a superb brushed 320 grit satin finish.
- For rapid installation, we recommend using a **high strength fixative**.

### Care Instructions



We recommend you should treat your stainless steel balustrade on a regular basis to ensure long-lasting perfection. Using either WD-40 or a specialist chemical stainless steel cleaner to remove heavy dirt and rust stains.

**Q-Ultra-Clean** rebuilds and strengthens the passive layer of stainless steel.

### Design

You can send us your drawings, technical drawings or even a freehand sketch.

From this we'll produce an accurate quotation for you. This service is completely free with no hassle or obligation.

Give us a call for any advice Monday to Friday 9.00am to 5.00pm

Contact us

Email: [info@s3i.co.uk](mailto:info@s3i.co.uk)

Telephone: **01302 752 504**

Fax: **01302 752 410**