

Modular Balustrade End Scroll and Adapter For Hardwood Handrail

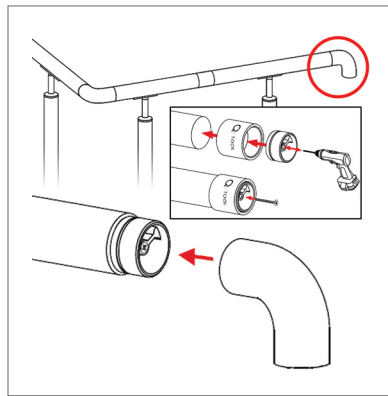
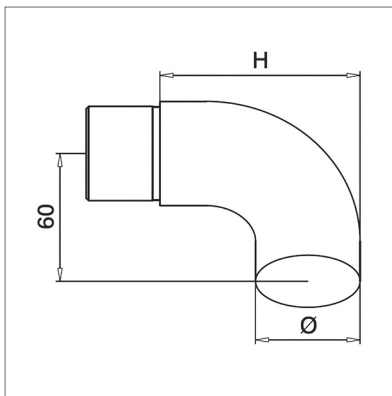
20.0739.042.12

Stainless steel flush fitting end scroll with adapter. Ideal for creating an distinctive and elegant finish to any hardwood balustrade handrail

Designed to fit flush to give you a long-lasting strong connection.

Available to fit 42mm diameter hardwood handrail.

Suitable for indoor use in 304 (interior) grade stainless steel available, finished to a superb brushed 320 grit satin that will compliment the finish of any wooden handrail.



Installation is quick and easy using a Q-tool for mounting adapter alignment, simply drill and use a countersunk screw to fix your adapter to the end of the hardwood handrail. Apply a high strength adhesive and attach your end scroll into position.

Modular DIY Range

Our most comprehensive and popular range of balustrade components. Produced from high quality stainless steel. All the fittings in this range are based upon a wall thickness of 2.6mm ensuring that your installation is of the highest quality and will stand the test of time.

Product Information

Available Options

Grade: 304 (interior) stainless steel.

To Fit: 42mm diameter tube.

To a brushed 320 grit satin finish.

Key Features

304 Manufactured from 304 grade stainless steel.

Ø 42 To fit 42mm diameter wooden handrail.

To a brushed 320 grit satin finish.

High strength adhesive required for installation.

Countersunk screw required for installation.

Screwdriver required for installation.

Drill required for installation.



Modular Balustrade End Scroll And Adapter For Hardwood Handrail

20.0739.042.12



For a perfect alignment and fit we recommend using a **Q-Tool** for hardwood handrail mounting adapter.



For installation we recommend using a **high strength adhesive**.



Countersunk screws required for installation.

Care Instructions



We recommend you should treat your stainless steel balustrade on a regular basis to ensure long-lasting perfection. Using either WD-40 or a specialist chemical stainless steel cleaner to remove heavy dirt and rust stains.

Q-Ultra-Clean rebuilds and strengthens the passive layer of stainless steel.

Design

You can send us your drawings, technical drawings or even a freehand sketch.

From this we'll produce an accurate quotation for you. This service is completely free with no hassle or obligation.

Give us a call for any advice Monday to Friday 9.00am to 5.00pm

Contact us

Email: info@s3i.co.uk

Telephone: **01302 752 504**

Fax: **01302 752 410**