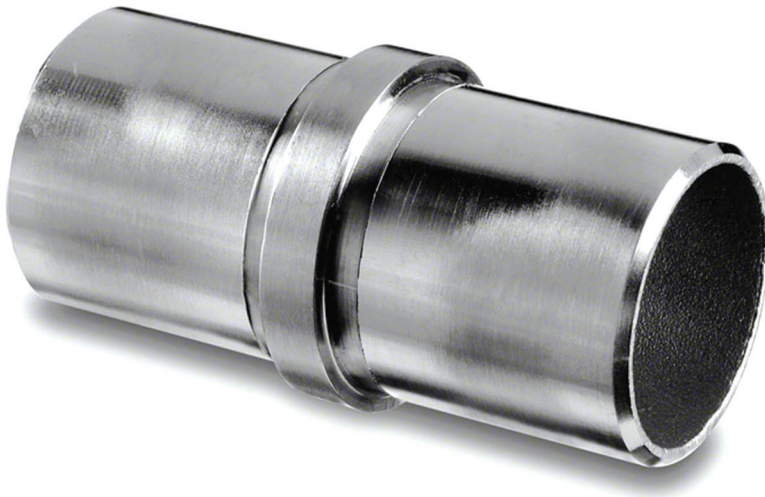


## Modular Balustrade In-Line Tube Connector - Flush Fitting

13.0790.042.12

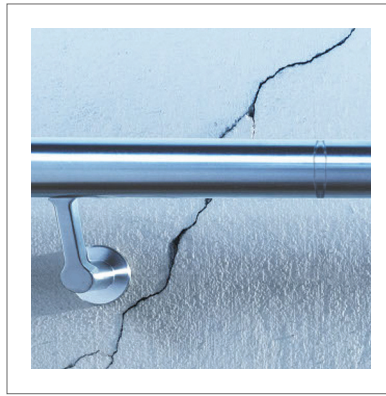
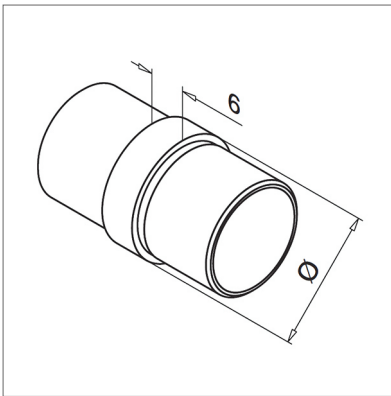


In-line tube connector for handrail and tube. Ideal for joining long sections of balustrade tube, designed to fit flush into your tube leaving you a neat and strong connection.

Available to fit either 42.4mm and 48.3mm diameter tube.

Suitable for internal (304 grade stainless steel) and external (316 grade stainless steel) applications, finished to a brushed 320 grit satin.

Installation is quick and easy, simply glue the ends with a high strength stainless steel adhesive and insert into your tube.



### Modular DIY Range

Our most comprehensive and popular range of balustrade components. Produced from high quality 304 or 316 grade stainless steel. All the fittings in this range are based upon a wall thickness of 2.6mm ensuring that your installation is of the highest quality and will stand the test of time.

### Product Information

#### Available Options

Grade: 304 (interior) stainless steel.  
Grade: 316 (exterior) stainless steel.

To Fit: 42.4mm diameter tube.  
To Fit: 48.3mm diameter tube.

To a brushed 320 grit satin finish.

### Key Features

**304** Manufactured from 304 grade stainless steel.

**316** Manufactured from 316 grade stainless steel.

**Ø 42.4** To fit 42.4mm diameter stainless steel tube.

**Ø 48.3** To fit 48.3mm diameter stainless steel tube.

To a brushed 320 grit satin finish.

Requires fixing with a high strength stainless steel adhesive.



## Modular Balustrade In-Line Tube Connector - Flush Fitting

13.0790.042.12



For fixing into tubular posts we recommend using a **high strength stainless steel adhesive**.

### Care Instructions



We recommend you should treat your stainless steel balustrade on a regular basis to ensure long-lasting perfection. Using either WD-40 or a specialist chemical stainless steel cleaner to remove heavy dirt and rust stains.

**Q-Ultra-Clean** rebuilds and strengthens the passive layer of stainless steel.

### Design

You can send us your drawings, technical drawings or even a freehand sketch.

From this we'll produce an accurate quotation for you. This service is completely free with no hassle or obligation.

Give us a call for any advice Monday to Friday 9.00am to 5.00pm

Contact us

Email: [info@s3i.co.uk](mailto:info@s3i.co.uk)

Telephone: **01302 752 504**

Fax: **01302 752 410**