

# Modular Balustrade Handrail Pillar In-Line - Flat



## 13.0810.000.12

Stainless steel M10 threaded handrail pillar with a flat mount to support flat handrail. An ideal choice for flat hardwood handrails.

This pillar is perfect for a quick and easy installation into [threaded post caps](#) for balustrade posts.

Available in 304 (interior) grade stainless steel, finished to a superb brushed 320 grit satin.

For attaching a square stainless steel handrail we recommend using [M5 x 20 hex head countersunk screws](#).

### Modular DIY Range

Our most comprehensive and popular range of balustrade components. Produced from high quality stainless steel ensuring your installation is of the highest quality and will stand the test of time.

### Product Information

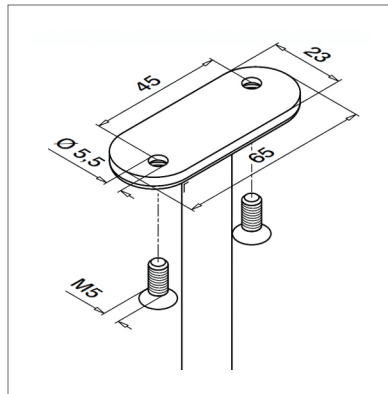
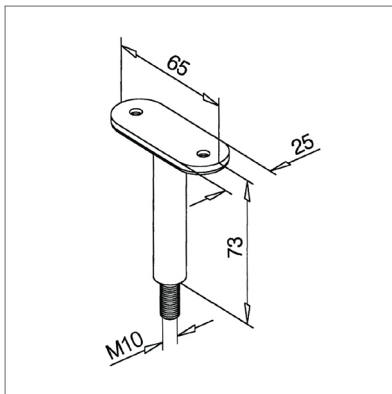
#### Available Options

Grade: 304 (interior) stainless steel.

Thread: M10.

To fit flat handrail.

To a brushed 320 grit satin finish.



Fits [threaded post caps](#) (available separately)

## Key Features

- Manufactured from 304 grade stainless steel.
- To support flat handrail.
- To a brushed 320 grit satin finish.
- Hex head key recommended for installation.
- For attaching square stainless steel handrail we recommend using two [M5 x 20 hex head countersunk screws](#).

## Care Instructions



We recommend you should treat your stainless steel balustrade on a regular basis to ensure long-lasting perfection. Using either WD-40 or a specialist chemical stainless steel cleaner to remove heavy dirt and rust stains. [Q-Ultra-Clean](#) rebuilds and strengthens the passive layer of stainless steel.

## Design

You can send us your drawings, technical drawings or even a freehand sketch.

From this we'll produce an accurate quotation for you. This service is completely free with no hassle or obligation.

Give us a call for any advice Monday to Friday 9.00am to 5.00pm

Contact us

Email: [info@s3i.co.uk](mailto:info@s3i.co.uk)

Telephone: **01302 752 504**