

Modular Balustrade Handrail Pillar In-Line - Tube



13.0810.042.12

M10 threaded handrail pillar with a curved support to accept either stainless steel or hardwood 42.4mm or 48.3mm diameter tube.

This pillar is ideal for mounting into threaded post caps on balustrade posts. Produced from 304 (interior) grade and 316 (exterior) grade stainless steel available with a superb brushed 320 grit satin finish.

Installation is quick and easy when used with a [threaded post cap](#). For attaching a stainless steel handrail we recommend using [M5 x 16 hex head button cap screws](#).

Modular DIY Range

Our most comprehensive and popular range of balustrade components. Produced from high quality stainless steel ensuring your installation is of the highest quality and will stand the test of time.

Product Information

Available Options

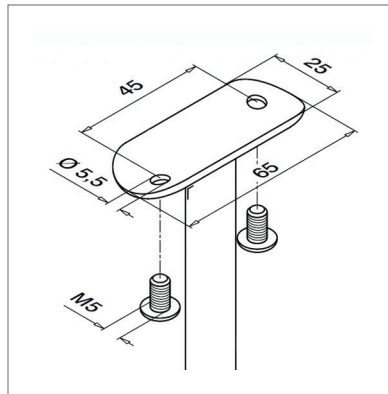
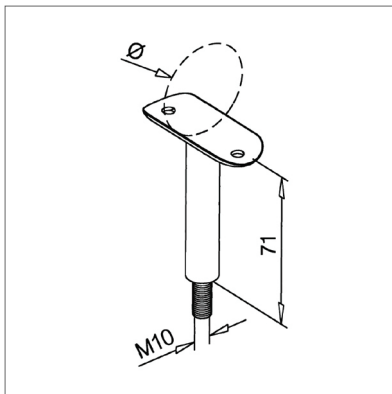
Grade: 304 (interior) stainless steel.
Grade: 316 (exterior) stainless steel.

To fit: 42.4mm diameter tube.
To fit: 48.3mm diameter tube.

Thread: M10.

To a brushed 320 grit satin finish.

Fits [threaded post caps](#) (available separately)



Key Features

- 304** Manufactured from 304 grade stainless steel.
- 316** Manufactured from 316 grade stainless steel.
- 42.4** To fit 42.4mm diameter stainless steel tube.
- 48.3** To fit 48.3mm diameter stainless steel tube.
- To a brushed 320 grit satin finish.
- Attach stainless steel handrail using two [M5 x 16 hex head button cap screws](#).

Care Instructions



We recommend you should treat your stainless steel balustrade on a regular basis to ensure long-lasting perfection. Using either WD-40 or a specialist chemical stainless steel cleaner to remove heavy dirt and rust stains. [Q-Ultra-Clean](#) rebuilds and strengthens the passive layer of stainless steel.

Design

You can send us your drawings, technical drawings or even a freehand sketch.

From this we'll produce an accurate quotation for you. This service is completely free with no hassle or obligation.

Give us a call for any advice Monday to Friday 9.00am to 5.00pm

Contact us

Email: info@s3i.co.uk

Telephone: **01302 752 504**