

## Modular Balustrade Cross Bar Holder Double Through Hole Flat - Bar

**13.0830.012.12**

Double cross bar connector with through holes to meet and hold 12mm diameter stainless steel bars as a balustrade infill.

Suitable for interior applications - manufactured from 304 Grade stainless steel to a superb brushed 320 grit satin finish.

Quick and easy to install with the use of a hex head key, the perfect solution for intricate balustrade systems.

### Modular Range

Our most comprehensive and popular range of balustrade components for internal and external use. All the fittings in this range are based upon a wall thickness of 2.6mm ensuring that your installation is of the highest quality and will stand the test of time.

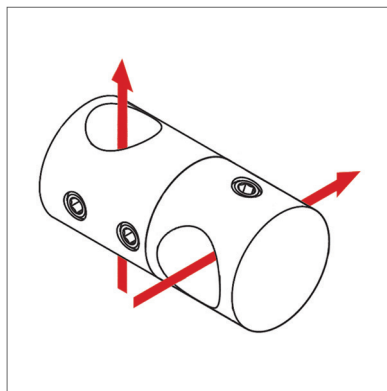
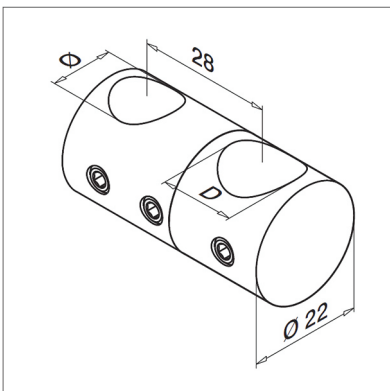
### Product Information

Grade: 304 (interior) stainless steel.

Bar Diameter: 12mm

Hole Spacing: 28mm

To a brushed 320 grit satin finish.



### Key Features

**304** Available in 304 grade (interior) stainless steel.

To a superb brushed 320 grit satin finish.

This product requires a **hex head key** for installation.

### Tools and Fixings



This product requires a **hex head key** for installation.

### Care Instructions



We recommend you should treat your stainless steel balustrade on a regular basis to ensure long-lasting perfection.

**Q-Ultra-Clean** rebuilds and strengthens the passive layer of stainless steel.

### Design

You can send us your drawings, technical drawings or even a freehand sketch.

From this we'll produce an accurate quotation for you. This service is completely free with no hassle or obligation.

Give us a call for any advice Monday to Friday 9.00am to 5.00pm

Contact us

Email: [info@s3i.co.uk](mailto:info@s3i.co.uk)

Telephone: **01302 752 504**

Fax: **01302 752 410**