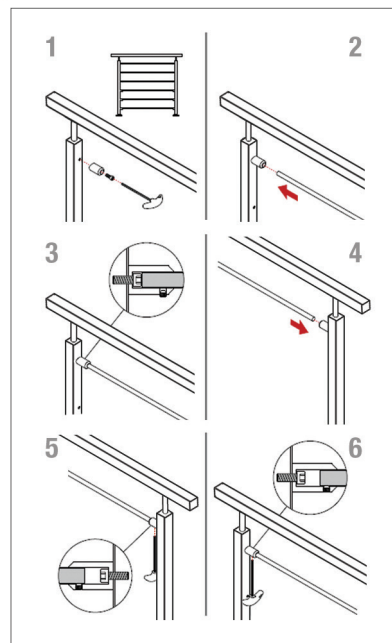
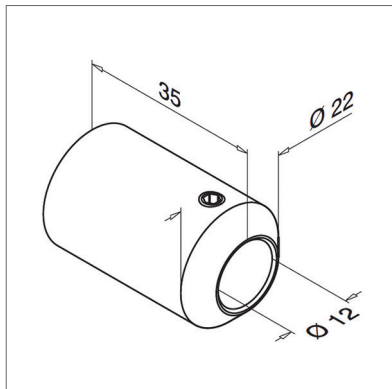


Modular Balustrade Cross Bar Holder In-line End Piece Flat - Bar

13.0850.000.12

Flat mounting cross bar in-line end piece designed to hold 12mm tubular stainless steel bars as balustrade infill. The perfect choice for wall and square post mounting. Available options of interior (304 grade) and exterior (316 grade) stainless steel. Produced to a superb brushed 320 grit satin. Installation is quick and easy with the use of a drill and [hex head key](#).



Modular Range

Our most comprehensive and popular range of balustrade components for internal and external use. All the fittings in this range are based upon a wall thickness of 2.6mm ensuring that your installation is of the highest quality and will stand the test of time.

Product Information

Available options

Grade: 304 (interior) stainless steel.
Grade: 316 (exterior) stainless steel.

Bar Diameter: 12mm
Stand Off Height: 35mm
To a brushed 320 grit satin finish.

Key Features

304 Available in 304 grade (interior) stainless steel.

316 Available in 316 grade (exterior) stainless steel.

To a superb brushed 320 grit satin finish.

This product requires a [hex head key](#) for installation.

Drill required for installation.

This product requires [M6 x 20 Hex Head Cap Screw](#).

Tools and Fixings



This product requires a [hex head key](#) for installation.

Care Instructions



We recommend you should treat your stainless steel balustrade on a regular basis to ensure long-lasting perfection. [Q-Ultra-Clean](#).

Contact Us

Give us a call for any advice
Monday to Friday 9.00am to 5.00pm

Contact us

Email: info@s3i.co.uk

Telephone: **01302 752 504**

Fax: **01302 752 410**