



Modular Balustrade Cross Bar Holder In-line End Piece Tube - Bar

13.0850.042.12

Tube mounting cross bar in-line end piece to hold 12mm tubular stainless steel bars as balustrade infill. Available to fit 42.4mm and 48.3mm tube, with options of interior (304 grade) and exterior (316 grade) stainless steel. Finished to a superb brushed 320 grit satin. Simple to install with the use of a drill and hex head key.

Modular Range

Our most comprehensive and popular range of balustrade components for internal and external use. All the fittings in this range are based upon a wall thickness of 2.6mm ensuring that your installation is of the highest quality and will stand the test of time.

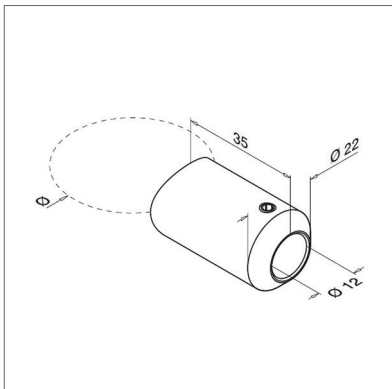
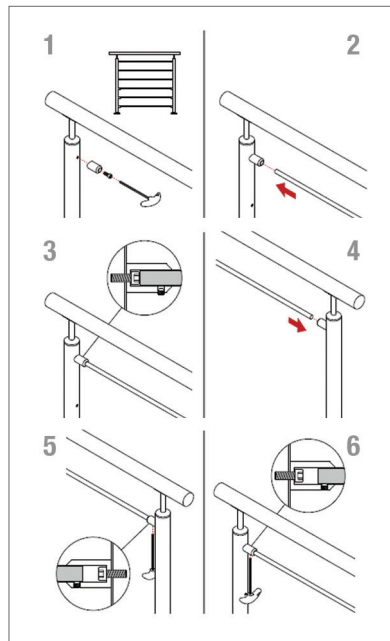
Product Information

Available options

Grade: 304 (interior) stainless steel.
Grade: 316 (exterior) stainless steel.

To Fit Diameter: 42.4mm.
To Fit Diameter: 48.3mm.

Bar Diameter: 12mm
Stand Off Height: 35mm
To a brushed 320 grit satin finish.



Key Features

304 Available in 304 grade (interior) stainless steel.

316 Available in 316 grade (exterior) stainless steel.

To a superb brushed 320 grit satin finish.

Ø 42.4 To fit 42.4mm diameter stainless steel tube.

Ø 48.3 To fit 48.3mm diameter stainless steel tube.

This product requires a hex head key for installation.

This product requires M6 x 20 Hex Head Cap Screw.

Drill required for installation.

Tools and Fixings



This product requires a hex head key for installation.

Care Instructions



We recommend you should treat your stainless steel balustrade on a regular basis to ensure long-lasting perfection. **Q-Ultra-Clean**.

Contact Us

Give us a call for any advice Monday to Friday 9.00am to 5.00pm

Contact us

Email: info@s3i.co.uk

Telephone: **01302 752 504**

Fax: **01302 752 410**