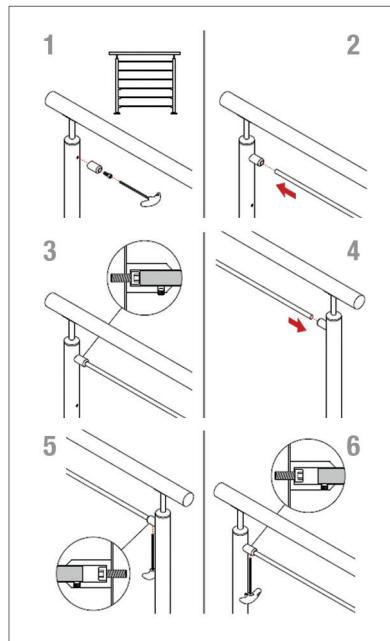
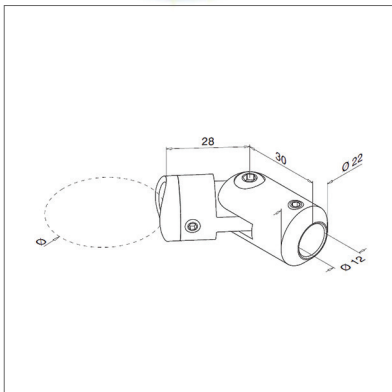


Modular Balustrade Cross Bar Holder In-line Adjustable End Piece, Tube- Bar



MOD 0855

Adjustable tube mounting cross bar holder for inclines on bespoke balustrade projects. This in-line end piece cross bar holder supports 12mm tubular stainless steel bars as balustrade infill. Produced from interior (304 grade) stainless steel to fit 42.4mm tubular posts. Finished to a superb brushed 320 grit satin. Installation is quick and easy with the use of a **M6 x 25 hex head screw** and hex head key.

Modular Range

Our most comprehensive and popular range of balustrade components. Produced from high quality stainless steel ensuring your installation is of the highest quality and will stand the test of time.

Product Information

Available options

To Fit Diameter: 42.4mm.







Grade: 304 (interior) stainless steel.

Bar Diameter: 12mm

Stand Off Height: 58mm

To a brushed 320 grit satin finish.

Key Features

-  Available in 304 grade (interior) stainless steel.
-  To fit 42.4mm diameter stainless steel tube.
-  Requires **M6 x 25 Countersunk Hex Head Screw**.
-  This product requires a hex head key for installation.
-  Drill required for installation.
-  Adjustment is 90° in each direction.

Care Instructions



We recommend you should treat your stainless steel balustrade on a regular basis to ensure long-lasting perfection. **Q-Ultra-Clean** product code: 19.0610.000.00

Contact Us

Give us a call for any advice Monday to Friday 9.00am to 5.00pm

Contact us

Email: info@s3i.co.uk

Telephone: **01302 752 504**