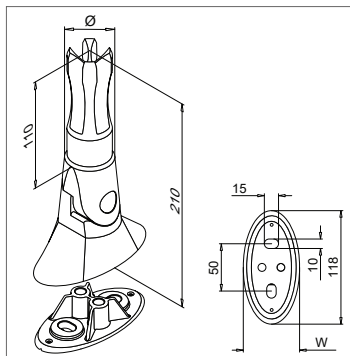
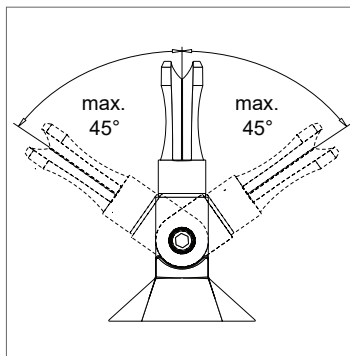


Adjustable Baluster Post Base Flange for Stairs



Mod 0945

Angle adjustable base flange for perfect vertical baluster post alignment on balustrade stairways and inclines. multi position connection offering angle adjustment of +45°/-45°.

Manufactured to fit either 42.4mm and 48.3mm diameter tube.

Options of 304 grade (internal) and 316 grade (external) stainless steel, with a brushed 320 grit satin finish.

Designed for a quick and easy installation onto concrete and solid floors with the use of M10 x 85mm Anchor Bolts and high strength stainless Steel Glue (both available separately).

Modular DIY Range

Our most comprehensive and popular range of balustrade components. Produced from high quality stainless steel. All fittings in this range are based upon a wall thickness of 2mm ensuring that your installation is of the highest quality and will stand the test of time.

Product Information

Available Options

- Grade: 304 (interior) stainless steel.
- Grade: 316 (exterior) stainless steel.
- To Fit: 42.4mm diameter tube.
- To Fit: 48.3mm diameter tube.
- Angle Adjustment: +45° / -45°.
- To a brushed 320 grit satin finish.

For full dimensions please visit: <https://www.s3i.co.uk/modular-adjustable-baluster-post-base-flange-0945.php>

Key Features

- 304** Manufactured from 304 grade stainless steel.
- 316** Manufactured from 316 grade stainless steel.
- Ø 42.4** To fit 42.4mm diameter stainless steel tube.
- Ø 48.3** To fit 48.3mm diameter stainless steel tube.
- Adjustment of +45°/-45°.
- Requires high strength stainless steel adhesive.
- Requires M10 x 85 Anchors for concrete and solid floors.

Care Instructions



We recommend you should treat your stainless steel balustrade on a regular basis to ensure long-lasting perfection. Using either WD-40 or a specialist chemical stainless steel cleaner to remove heavy dirt and rust stains. **Q-Ultra-Clean** rebuilds and strengthens the passive layer of stainless steel.



For fixing into tubular posts we recommend using a **high strength stainless steel adhesive**.

Design

You can send us your drawings, technical drawings or even a freehand sketch.

From this we'll produce an accurate quotation for you. This service is completely free with no hassle or obligation.

Give us a call for any advice Monday to Friday 9.00am to 5.00pm

Contact us

Email: info@s3i.co.uk

Telephone: **01302 752 504**