

## Baluster Bracket Post Mount Side Fix

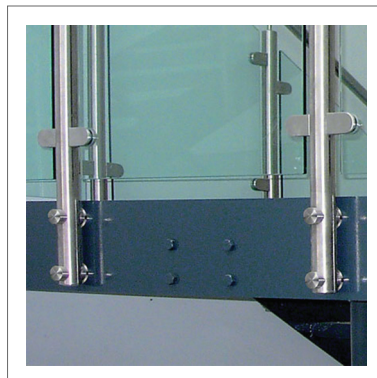
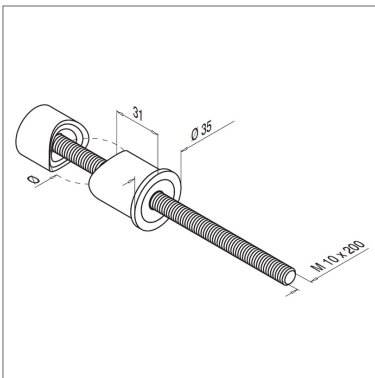
13.0550.042.12



The side fixing post mount is an ideal means of attaching posts to an area where free space is a factor, the profile is not as wide as the post itself. A long 200mm fixing stud provides a strong connection and the finishing bolt and cover screws easily into place. Ideal for walls or mezzanine floors.

### Modular DIY Range

Our most comprehensive and popular range of balustrade components. Produced from high quality 304 (interior) and 316 (exterior) grade stainless steel with choices of tube diameters 42.4mm or 48.3mm.



### Product Information

Grade: 304 (interior) / 316 (exterior)

Stand off : 31mm

Tube Diameter: 42.4mm / 48.3mm

Finished to a brushed satin

## Key Features

**304** Manufactured from 304 (interior) grade stainless steel.

**316** Manufactured from 316 (exterior) grade stainless steel

**Ø 42.4** Tube diameter 42.4mm

**Ø 48.3** Tube diameter 48.3mm

To a superb 320 grit brushed satin finish.

## Care Instructions



We recommend you should treat your stainless steel baluster bracket on a regular basis to ensure long-lasting perfection.

We recommend using either WD-40 or a similar product to wipe down your baluster bracket, or using a specialist chemical stainless steel cleaner to remove heavy dirt and rust stains.

**Q-Ultra-Clean** rebuilds and strengthens the passive layer of the stainless steel.

## Design

You can send us your drawings, technical drawings or even a freehand sketch.

From this we'll produce an accurate quotation for you. This service is completely free with no hassle or obligation.

Give us a call for any advice Monday to Friday 9.00am to 5.00pm

Contact us

Email: [info@s3i.co.uk](mailto:info@s3i.co.uk)

Telephone: **01302 752 504**

Fax: **01302 752 410**