

Baluster Bracket Wall Mount - Circular

13.0551.042.12



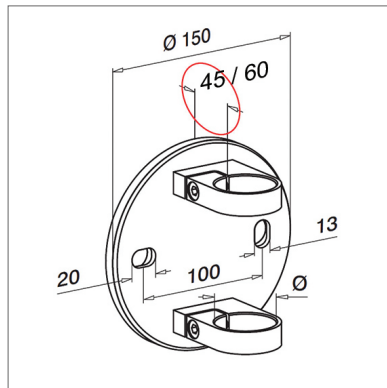
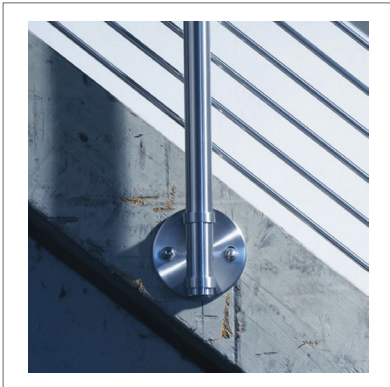
The circular wall mount bracket is a simple, elegant system used to attach your balustrade posts to a wall or other flat surface, easily mounted using two stainless steel wall anchors. It features two elongated fixing holes to allow for precise placement and final angle adjustment. You can choose between either a 45mm or 60mm stand off from the wall surface.

Modular DIY Range

Our most comprehensive and popular range of balustrade components. Produced from both high quality 304 and 316 grade stainless steel with choices of tube diameters 42.4mm or 48.3mm.

Product Information

Grade: 304 (interior) / 316 (exterior)
 Diameter: 150mm
 Stand off : 45mm / 60mm
 Tube Diameter: 42.4mm / 48.3mm
 Finished to a brushed satin



Key Features

304 Manufactured from 304 (interior) grade stainless steel.

316 Manufactured from 316 (exterior) grade stainless steel.

Ø 42.4 Tube diameter 42.4mm

Ø 48.3 Tube diameter 48.3mm

To a superb 320 grit brushed satin finish.

Care Instructions



We recommend you should treat your stainless steel mounting bracket on a regular basis to ensure long-lasting perfection.

We recommend using either WD-40 or a similar product to wipe down your mounting bracket, or using a specialist chemical stainless steel cleaner to remove heavy dirt and rust stains.

Q-Ultra-Clean rebuilds and strengthens the passive layer of the stainless steel.

Design

You can send us your drawings, technical drawings or even a freehand sketch.

From this we'll produce an accurate quotation for you. This service is completely free with no hassle or obligation.

Give us a call for any advice Monday to Friday 9.00am to 5.00pm

Contact us

Email: info@s3i.co.uk

Telephone: **01302 752 504**

Fax: **01302 752 410**