

Baluster Bracket Wall Mount Flexible Corner

13.0555.042.12



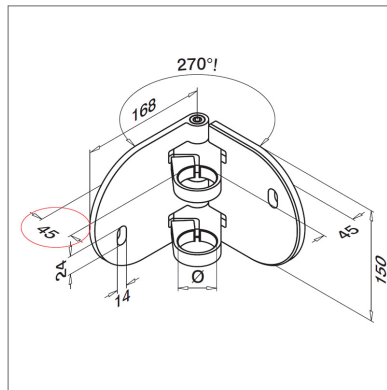
The flexible corner wall mount bracket provides a simple solution for attaching baluster posts to inside or outside facing corners, with an articulation of up to 270 degrees. Easily attached to the surface using two stainless steel wall anchors. It features two elongated fixing holes to allow for precise placement and final angle adjustment. Available for either 42.4mm or 48.3mm diameter tube.

Modular DIY Range

Our most comprehensive and popular range of balustrade components. Produced from both high quality 304 and 316 grade stainless steel with choices of tube diameters 42.4mm or 48.3mm.

Product Information

Grade: 304 (interior) / 316 (exterior)
Diameter: 150mm
Stand off : 45mm
Tube Diameter: 42.4mm / 48.3mm



Key Features

- 304** Manufactured from 304 (interior) grade stainless steel.
- 316** Manufactured from 316 (exterior) grade stainless steel.
- 42.4** Tube diameter 42.4mm
- 48.3** Tube diameter 48.3mm
- 270°** Articulates up to 270 degrees
- To a superb 320 grit brushed satin finish.

Care Instructions



We recommend you should treat your stainless steel mounting bracket on a regular basis to ensure long-lasting perfection.

We recommend using either WD-40 or a similar product to wipe down your mounting bracket, or using a specialist chemical stainless steel cleaner to remove heavy dirt and rust stains.

Q-Ultra-Clean rebuilds and strengthens the passive layer of the stainless steel.

Design

You can send us your drawings, technical drawings or even a freehand sketch.

From this we'll produce an accurate quotation for you. This service is completely free with no hassle or obligation.

Give us a call for any advice Monday to Friday 9.00am to 5.00pm

Contact us

Email: info@s3i.co.uk

Telephone: **01302 752 504**

Fax: **01302 752 410**