

Baluster Bracket Easy Mount Angle Adjustable

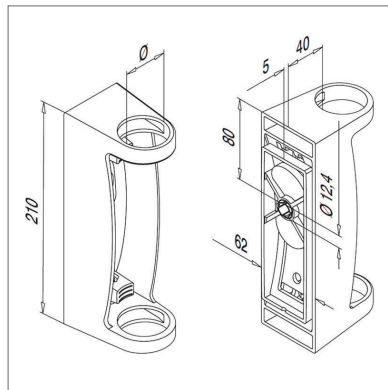
13.0556.042.12



The easy mount bracket is designed to enable an extremely quick and accurate installation. It's unique one fix system means that it can be installed easily with only one hand and one tool. The 2.5 degree adjustment makes sure that your posts are perfectly aligned with minimum effort, every time.

Modular DIY Range

Our most comprehensive and popular range of balustrade components. Produced from high quality 304 grade stainless steel with choices of tube diameters 42.4mm or 48.3mm.



Product Information

Grade: 304 (interior)

Length: 210mm

Stand off : 40mm

Tube Diameter: 42.4mm / 48.3mm


Finished to a brushed satin

Key Features

304 Manufactured from 304 (interior) grade stainless steel.

Ø 42.4 Tube diameter 42.4mm

Ø 48.3 Tube diameter 48.3mm

 To a superb 320 grit brushed satin finish.

Care Instructions



We recommend you should treat your stainless steel mounting bracket on a regular basis to ensure long-lasting perfection.

We recommend using either WD-40 or a similar product to wipe down your mounting bracket, or using a specialist chemical stainless steel cleaner to remove heavy dirt and rust stains.

Q-Ultra-Clean rebuilds and strengthens the passive layer of the stainless steel.

Design

You can send us your drawings, technical drawings or even a freehand sketch.

From this we'll produce an accurate quotation for you. This service is completely free with no hassle or obligation.

Give us a call for any advice Monday to Friday 9.00am to 5.00pm

Contact us

Email: info@s3i.co.uk

Telephone: **01302 752 504**

Fax: **01302 752 410**