

## Baluster Bracket Easy Mount Side Fix - Short Length 13.0557.042.12

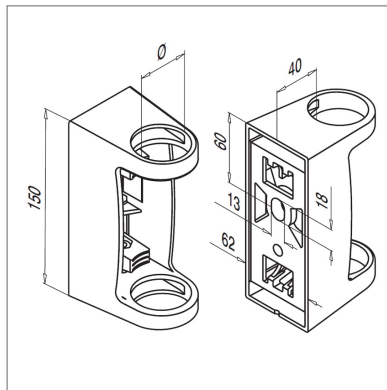
The easy mount bracket is designed to enable an extremely quick and accurate installation. It's unique one fix system means that it can be installed easily with only one hand and one tool. Manufactured in 304 grade stainless steel to perfectly suit the rest of your interior balustrade.

### Modular DIY Range


Our most comprehensive and popular range of balustrade components. Produced from high quality 304 and 316 grade stainless steel with choices of tube diameters 42.4mm or 48.3mm.

### Product Information

Grade: 304 (interior) , 316 (exterior)  
Length: 150mm  
Stand off : 40mm  
Tube Diameter: 42.4mm / 48.3mm  
Finished to a brushed satin



## Key Features

- 304** Manufactured from 304 (interior) grade stainless steel.
- 316** Manufactured from 316 (exterior) grade stainless steel.
- Ø 42.4** Tube diameter 42.4mm
- Ø 48.3** Tube diameter 48.3mm
-  To a superb 320 grit brushed satin finish.

## Care Instructions



We recommend you should treat your stainless steel mounting bracket on a regular basis to ensure long-lasting perfection.

We recommend using either WD-40 or a similar product to wipe down your mounting bracket, or using a specialist chemical stainless steel cleaner to remove heavy dirt and rust stains.

**Q-Ultra-Clean** rebuilds and strengthens the passive layer of the stainless steel.

## Design

You can send us your drawings, technical drawings or even a freehand sketch.

From this we'll produce an accurate quotation for you. This service is completely free with no hassle or obligation.

Give us a call for any advice Monday to Friday 9.00am to 5.00pm

Contact us

Email: [info@s3i.co.uk](mailto:info@s3i.co.uk)

Telephone: **01302 752 504**

Fax: **01302 752 410**