

Modular Balustrade Adjustable Handrail Pillar Component Screw Fix

13.0811.068.12

Handrail pillar designed to work with other products from our [component range](#). Quick and easy to install by screwing the M10 thread into one of our post caps, the M6 threaded centre hole is designed to fit handrail saddle plate components from this range. We recommend using a M6 countersunk screw to attach your saddle plate - available separately.

With a choice of 304 grade (interior) or 316 grade (exterior) stainless steel to a brushed satin finish.

Modular DIY Range

Our most comprehensive and popular range of balustrade components. All the fittings in this range are based upon a wall thickness of 2.6mm ensuring that your installation is of the highest quality and will stand the test of time.

Product Information

Available options

Grade: 304 (interior) stainless steel.
Grade: 316 (exterior) stainless steel.

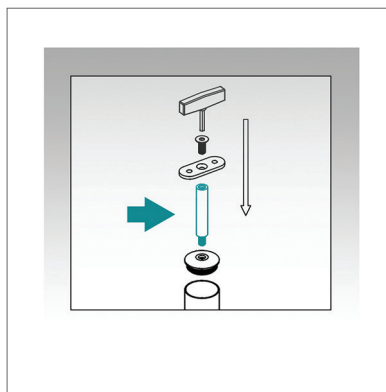
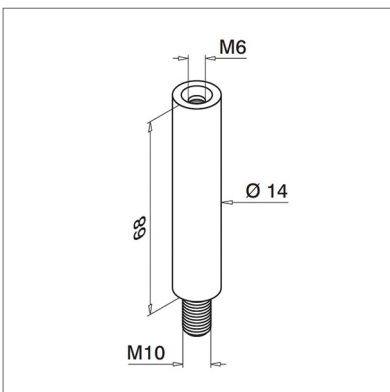
Height: 68mm

Diameter: 14mm

Thread: M10

Centre Hole Thread: M6

To a brushed 320 grit satin finish.



Key Features

304 Available in 304 grade (interior) stainless steel.

316 Available in 316 grade (exterior) stainless steel.

To a superb brushed 320 grit satin finish.



This product is suitable for welding.



This product requires a **Hex Socket Head Wrench** for installation.



This product requires **M6 x 12 Hex Head Countersunk Screw** product code: 93.0670.612.14.

Care Instructions



We recommend you should treat your stainless steel balustrade on a regular basis to ensure long-lasting perfection. Using either WD-40 or a specialist chemical stainless steel cleaner to remove heavy dirt and rust stains.

Q-Ultra-Clean is the perfect choice for your stainless steel.

Design

You can send us your drawings, technical drawings or even a freehand sketch. From this we'll produce an accurate quotation for you.

This service is completely free with no hassle or obligation.

Give us a call for any advice Monday to Friday 9.00am to 5.00pm

Contact Us

Email: info@s3i.co.uk

Telephone: **01302 752 504**

Fax: **01302 752 410**