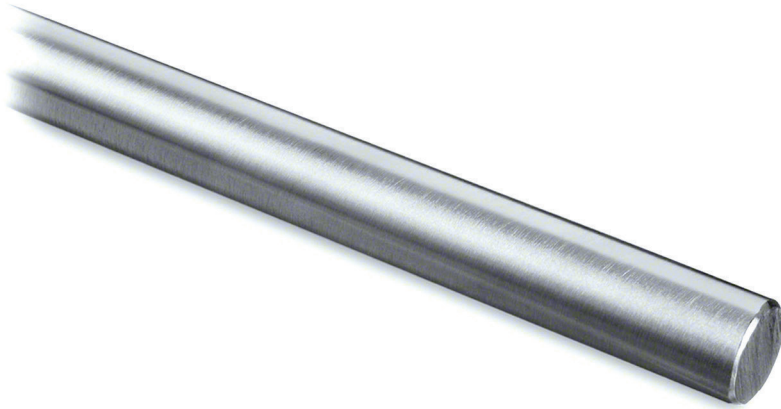


Modular Stainless Steel 12mm Bar

13.0900.012.12



This finest quality stainless steel bar can form the infill of your balustrade along with our range of [cross bar holders](#). We can cut and finish this product to any desired length up to 5 metres. It's 12mm diameter perfectly couples with a wide array of products within the modular range.

Please note that lengths over 3 metres will attract a long length delivery surcharge.

Modular DIY Range

Our most comprehensive and popular range of balustrade components. Produced from high quality 304 grade stainless steel.

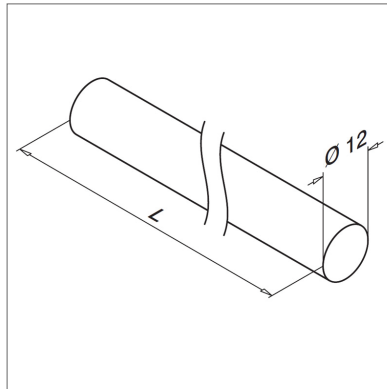
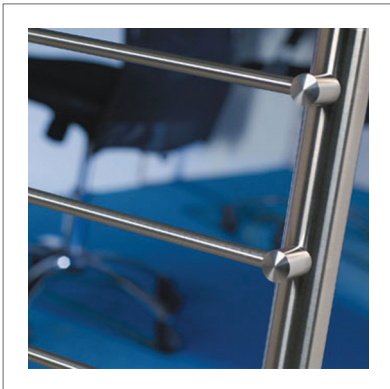
Product Information

Grade: 304 (Interior) / 316 (exterior)

Length: Up to 5 metres

Bar Diameter: 12mm

Finished to a brushed satin



Key Features

- 304** Manufactured from 304 (interior) grade stainless steel.
- 316** Manufactured from 316 (exterior) grade stainless steel.
- Ø 12** Bar diameter 12mm
- To a superb 320 grit brushed satin finish.

Care Instructions



We recommend you should treat your stainless steel tube on a regular basis to ensure long-lasting perfection.

We recommend using either WD-40 or a similar product to wipe down your tube, or using a specialist chemical stainless steel cleaner to remove heavy dirt and rust stains.

[Q-Ultra-Clean](#) rebuilds and strengthens the passive layer of the stainless steel.

Design

You can send us your drawings, technical drawings or even a freehand sketch.

From this we'll produce an accurate quotation for you. This service is completely free with no hassle or obligation.

Give us a call for any advice Monday to Friday 9.00am to 5.00pm

Contact us

Email: info@s3i.co.uk

Telephone: **01302 752 504**

Fax: **01302 752 410**