

Modular Balustrade 135° Handrail Saddle Connecting Plate - Flat

13.1801.000.12

This 135° handrail connecting plate is part of our custom range of [handrail components](#). This product fits with the use of a Hex head countersunk screw to pillars from our balustrade component range, also suitable for welding if you so choose.

Manufactured from 304 grade (interior) stainless steel the perfect choice for square or flat handrails. Adaptable and versatile enabling you to install quickly and efficiently, this saddle is the perfect choice for stainless steel and wooden handrail corners.

Modular DIY Range

Our most comprehensive and popular range of balustrade components. Produced from high quality 304 grade stainless steel. All the fittings in this range are based upon a wall thickness of 2.6mm ensuring that your installation is of the highest quality and will stand the test of time.

Product Information

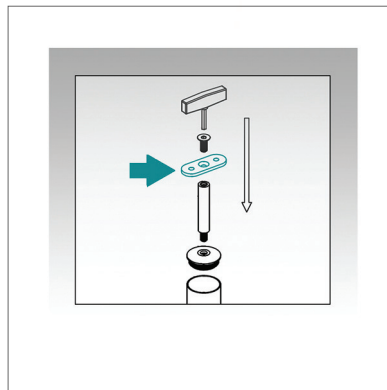
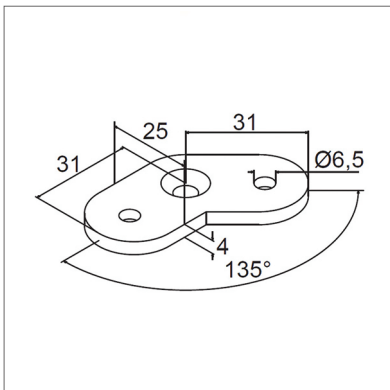
Grade: 304 (interior) stainless steel.

Set angle of 135°

Width: 25mm

Height: 4mm

To a brushed 320 grit satin finish.



Key Features

304 Manufactured from 304 grade stainless steel.

Sq To support square stainless steel handrail.

Flat To support flat stainless steel handrail.

Requires a **M6 x 12 Hex Head Countersunk Screw** product code: 93.0670.612.14.

This product requires a **Socket Head Wrench** for installation.

This product is suitable for welding.

To a superb brushed 320 grit satin finish.

Care Instructions



We recommend you should treat your stainless steel balustrade on a regular basis to ensure long-lasting perfection. Using either WD-40 or a specialist chemical stainless steel cleaner to remove heavy dirt and rust stains.

Q-Ultra-Clean is the perfect choice for your stainless steel.

Design

You can send us your drawings, technical drawings or even a freehand sketch. From this we'll produce an accurate quotation for you.

This service is completely free with no hassle or obligation.

Give us a call for any advice Monday to Friday 9.00am to 5.00pm

Contact Us

Email: info@s3i.co.uk

Telephone: **01302 714 513**

Fax: **01302 714 532**