

Modular Balustrade 135° Handrail Saddle Connecting Plate - Tube

13.1801.042.12

This 135° handrail tube connecting plate is part of our custom range of [handrail components](#). This product fits with the use of a Hex head countersunk screw to pillars from component range, sizes available to support a choice of 42.4mm or 48.3mm tubular handrails. Adaptable and versatile enabling you to install quickly and efficiently, this saddle is the perfect choice for stainless steel handrails and wooden handrails. This product is suitable for welding if you so choose.

Modular DIY Range

Our most comprehensive and popular range of balustrade components. Produced from high quality 304 grade stainless steel with choices of tube diameters 42.4mm or 48.3mm. All the fittings in this range are based upon a wall thickness of 2.6mm ensuring that your installation is of the highest quality and will stand the test of time.

Product Information

Available options
Grade: 304 (interior) stainless steel

Handrail Diameter: 42.4mm

Handrail Diameter: 48.3mm

Height: 4mm

Width: 25mm

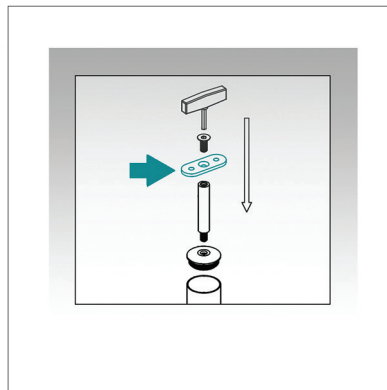
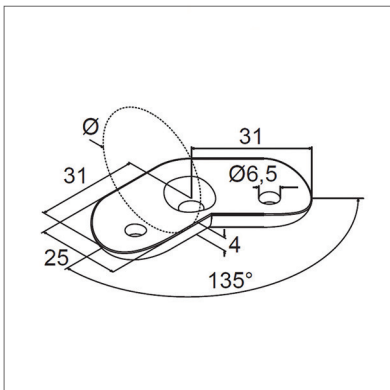
To a brushed 320 grit satin finish.

Contact Us

Email: info@s3i.co.uk

Telephone: 01302 752 504

Fax: 01302 752 410



Key Features

- 304** Manufactured from 304 grade stainless steel.
- 42.4** To fit 42.4mm diameter stainless steel tube.
- 48.3** To fit 48.3mm diameter stainless steel tube.
- Requires a **M6 x 12 Hex Head Countersunk Screw** product code: 93.0670.612.14.

- This product requires a **Socket Head Wrench** for installation.
- This product is suitable for welding.
- To a superb brushed 320 grit satin finish.

Care Instructions



We recommend you should treat your stainless steel balustrade on a regular basis to ensure long-lasting perfection. Using either WD-40 or a specialist chemical stainless steel cleaner to remove heavy dirt and rust stains.

Q-Ultra-Clean is the perfect choice for your stainless steel.

Design

You can send us your drawings, technical drawings or even a freehand sketch. From this we'll produce an accurate quotation for you.

This service is completely free with no hassle or obligation.

Give us a call for any advice Monday to Friday 9.00am to 5.00pm