

Modular Balustrade In-Line Handrail Saddle Connecting Plate - Flat

13.1810.000.12

This in-line handrail connecting plate is part of our custom range of [handrail components](#). This product fits with the use of a Hex head countersunk screw to pillars from component range, also suitable for welding if you so choose.

Manufactured from 304 grade (interior) stainless steel to a brushed satin finish this in-line plate is the perfect choice for square or flat handrails with installation being quick and easy. This saddle is suitable for both stainless steel handrail and wooden handrail applications.

Modular DIY Range

Our most comprehensive and popular range of balustrade components. Produced from high quality 304 grade stainless steel. All the fittings in this range are based upon a wall thickness of 2.6mm ensuring that your installation is of the highest quality and will stand the test of time.

Product Information

Grade: 304 (interior) stainless steel.
Grade: 304 (interior) stainless steel.

Length: 70mm

Height: 4mm

Width: 23mm

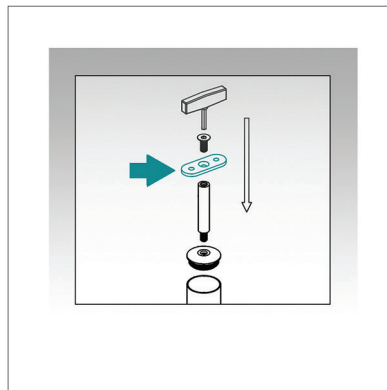
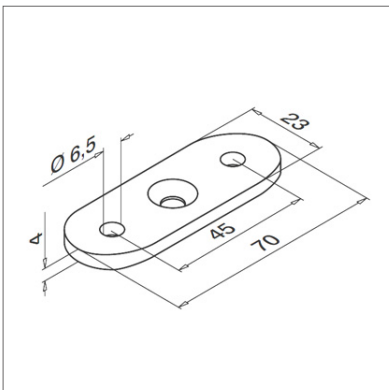
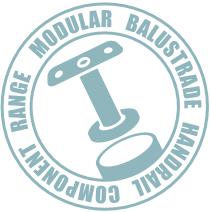
To a brushed 320 grit satin finish.

Contact Us

Email: info@s3i.co.uk

Telephone: **01302 752 504**

Fax: **01302 752 410**



Key Features

304 Manufactured from 304 grade stainless steel.

316 Manufactured from 316 grade stainless steel.

Sq To support square stainless steel handrail.

Flat To support flat stainless steel handrail.

Requires a **M6 x 12 Hex Head Countersunk Screw** product code: 93.0670.612.14.

This product requires a **Socket Head Wrench** for installation.

This product is suitable for welding.

To a superb brushed 320 grit satin finish.

Care Instructions



We recommend you should treat your stainless steel balustrade on a regular basis to ensure long-lasting perfection. Using either WD-40 or a specialist chemical stainless steel cleaner to remove heavy dirt and rust stains.

Q-Ultra-Clean is the perfect choice for your stainless steel.

Design

You can send us your drawings, technical drawings or even a freehand sketch. From this we'll produce an accurate quotation for you.

This service is completely free with no hassle or obligation.

Give us a call for any advice Monday to Friday 9.00am to 5.00pm