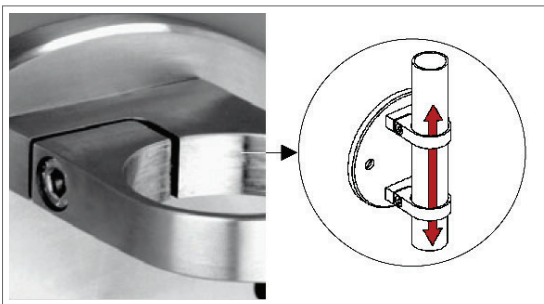
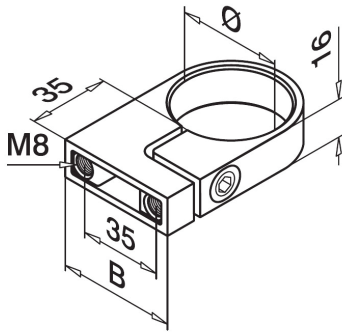


Baluster Support Tube Clamp

13.3507.042.12



The baluster support clamp is an ideal solution for providing extra support to your wall mounted baluster posts. Using only two bolts or wall anchors to attach to the wall and a side mounted hex bolt to tighten the clamp once the tube is in place, it provides a strong and sturdy means of support for any posts that may require that little bit of extra security.

Modular DIY Range

Our most comprehensive and popular range of balustrade components. Produced from high quality 304 (interior) and 316 (exterior) grade stainless steel with choices of tube diameters 42.4mm or 48.3mm.

Product Information

Grade: 304 (interior) / 316 (exterior)

Stand off : 35mm

Tube Diameter: 42.4mm / 48.3mm

Finished to a brushed satin

Key Features

304 Manufactured from 304 (interior) grade stainless steel.

316 Manufactured from 316 (exterior) grade stainless steel

Ø 42.4 Tube diameter 42.4mm

Ø 48.3 Tube diameter 48.3mm

To a superb 320 grit brushed satin finish.

Care Instructions



We recommend you should treat your stainless steel tube clamp on a regular basis to ensure long-lasting perfection.

We recommend using either WD-40 or a similar product to wipe down your tube clamp, or using a specialist chemical stainless steel cleaner to remove heavy dirt and rust stains.

Q-Ultra-Clean rebuilds and strengthens the passive layer of the stainless steel.

Design

You can send us your drawings, technical drawings or even a freehand sketch.

From this we'll produce an accurate quotation for you. This service is completely free with no hassle or obligation.

Give us a call for any advice Monday to Friday 9.00am to 5.00pm

Contact us

Email: info@s3i.co.uk

Telephone: **01302 752 504**

Fax: **01302 752 410**