



Modular Balustrade Easy Hit Post Cap with Screw Fixing

13.5736.042.12

This easy hit post cap is part of our custom stainless steel range of [handrail components](#) giving you all the options needed to create a bespoke balustrade design. This product is quick and easy to fit using an easy hit hammer, suitable for welding if you so choose.

Designed to fit flush to the post with a pre-drilled M10 threaded centre hole to accept handrail pillar components from the component range. This post cap is available for either 42.4mm or 48.3mm tubular posts, with a choice of 304 grade (interior) or 316 grade (exterior) stainless steel to a brushed satin finish.

Modular DIY Range

Our most comprehensive and popular range of balustrade components. All the fittings in this range are based upon a wall thickness of 2.6mm ensuring that your installation is of the highest quality and will stand the test of time.

Product Information

Available options

Grade: 304 (interior) stainless steel.
Grade: 316 (exterior) stainless steel.

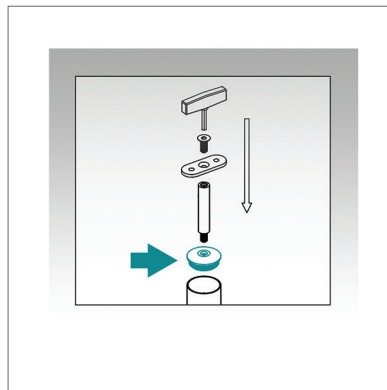
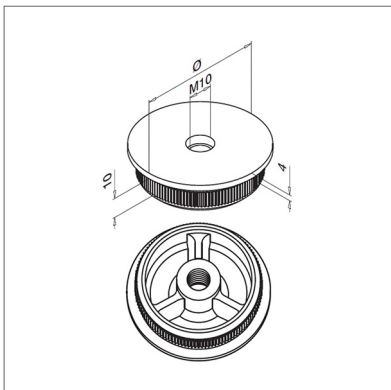
To Fit Diameter: 42.4mm

To Fit Diameter: 48.3mm

Stand Off Height: 4mm

Centre Hole Thread: M10

To a brushed 320 grit satin finish.



Key Features

304 Available in 304 grade (interior) stainless steel.

316 Available in 316 grade (exterior) stainless steel.

42.4 To fit 42.4mm diameter stainless steel tube.

48.3 To fit 48.3mm diameter stainless steel tube.



Recommended **Easy Hit Hammer** product code: 19.0704.000.00



This product is suitable for welding.



To a superb brushed 320 grit satin finish.

Care Instructions



We recommend you should treat your stainless steel balustrade on a regular basis to ensure long-lasting perfection. Using either WD-40 or a specialist chemical stainless steel cleaner to remove heavy dirt and rust stains.

Q-Ultra-Clean is the perfect choice for your stainless steel.

Design

You can send us your drawings, technical drawings or even a freehand sketch. From this we'll produce an accurate quotation for you.

This service is completely free with no hassle or obligation.

Give us a call for any advice Monday to Friday 9.00am to 5.00pm

Contact Us

Email: info@s3i.co.uk

Telephone: **01302 752 504**

Fax: **01302 752 410**