

Untreated Beech Hardwood Handrail

20.8925.042.39



The natural beech hardwood handrail is supplied unfinished, in its raw and untreated state. This allows you to choose your own stain, oil or varnish before use.

Hardwood Handrail Range

Our range of hardwood handrails offers a wide array of timbers and a variety of finishes. Produced from environmentally friendly FSC certified sources. Supplied at any length up to 2.5 metres.

Product Information

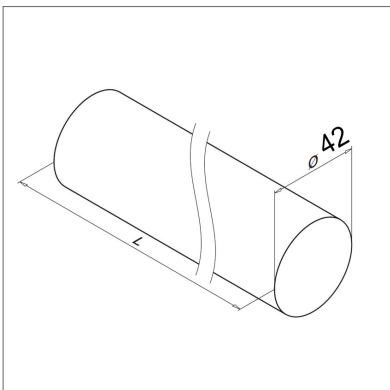
Wood Type: Untreated Beech

Diameter: 42 mm,

Length: Up to 2.5 metres

Unfinished

Please note that wood is a natural product and colours can vary.



Key Features



Manufactured from natural unfinished beech. Must be stained, oiled or varnished before use.



To suit our 42.4mm diameter balustrade bracket fittings.



Available in any cut length upto 2.5 metres.



Naturally produced from environmentally-friendly FSC certified wood.

Care Instructions

You can use an oil based finish on your hardwood handrail to help achieve long lasting perfection.

Untreated wood should be allowed a breathing period of around ten days to allow the grain to open up before finishing.

Once installed the finish should be maintained when necessary, generally every 18 months to 2 years .

Design

You can send us your drawings, technical drawings or even a freehand sketch.

From this we'll produce an accurate quotation for you. This service is completely free with no hassle or obligation.

Give us a call for any advice Monday to Friday 9.00am to 5.00pm

Contact us

Email: info@s3i.co.uk

Telephone: **01302 752 504**

Fax: **01302 752 410**